

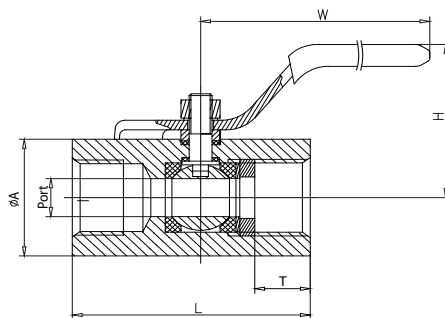


Ball valve MDV-003

EU 97/23/EC NB CE 0035

EN 10204 3.1

1 piece bar stock
reduced bore
f/f thread ISO 228-1G or ANSI B1.2.0.1 (NPT)
nominal pressure NB 8 (1/4") - NB 25 (1") : PN 63
nominal pressure NB 32 (1.1/4") - NB 50 (2") : PN 40
PTFE seats and seals
temperature -20°C upto 180°C



| NB | INCH PORT | L | H | W | T | A | Art. no. | Kg / pc | CF8 304 ISO NPT | CF8M 316 ISO NPT |
|-------|-----------|------|-----|----|-----|----|----------|---------|-----------------------|------------------------|
| | mm | mm | mm | mm | mm | mm | | | | |
| NB 8 | 1/4" | 5,0 | 48 | 30 | 76 | 13 | VB10 | 0,33 | ● ○ | ● ● |
| NB 10 | 3/8" | 7,0 | 52 | 36 | 90 | 15 | VB10 | 0,33 | ● ○ | ● ● |
| NB 15 | 1/2" | 10,0 | 60 | 37 | 102 | 16 | VB10 | 0,33 | ● ○ | ● ● |
| NB 20 | 3/4" | 12,5 | 67 | 40 | 105 | 18 | VB10 | 0,43 | ● ○ | ● ● |
| NB 25 | 1" | 17,0 | 73 | 45 | 105 | 18 | VB10 | 0,63 | ● ○ | ● ● |
| NB 32 | 1.1/4" | 22,0 | 90 | 65 | 150 | 20 | VB10 | 1,04 | ● ○ | ● ○ |
| NB 40 | 1.1/2" | 25,0 | 96 | 65 | 155 | 20 | VB10 | 1,64 | ● ○ | ● ○ |
| NB 50 | 2" | 32,0 | 112 | 72 | 160 | 24 | VB10 | 2,24 | ● ○ | ● ○ |



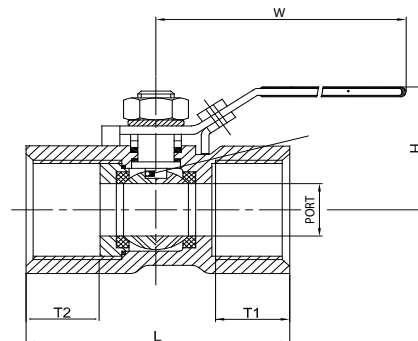
Ball valve MDV-003PL

Ball valve MDV-003PL

EU 97/23/EC NB CE 0035

EN 10204 3.1

1 piece
reduced bore
f/f thread ISO 228-1G or ANSI B1.2.0.1 (NPT)
nominal pressure NB 8 (1/4") - NB 25 (1") : PN 63
nominal pressure NB 32 (1.1/4") - NB 50 (2") : PN 40
PTFE seats and seals
temperature -20°C upto 180°C



| NB | INCH PORT | L | H | W | T1 | T2 | Art. no. | Kg / pc | CF8 304 ISO NPT | CF8M 316 ISO NPT |
|-------|-----------|----|-------|------|-----|------|----------|---------|-----------------------|------------------------|
| | mm | mm | mm | mm | mm | mm | | | | |
| NB 8 | 1/4" | 5 | 39,0 | 35,0 | 60 | 11,4 | VB15 | 0,07 | ● ○ | ● ○ |
| NB 10 | 3/8" | 7 | 44,0 | 37,0 | 70 | 11,4 | VB15 | 0,10 | ● ○ | ● ○ |
| NB 15 | 1/2" | 9 | 56,5 | 43,5 | 85 | 15,5 | VB15 | 0,16 | ● ○ | ● ○ |
| NB 20 | 3/4" | 12 | 58,0 | 47,0 | 85 | 16,5 | VB15 | 0,25 | ● ○ | ● ○ |
| NB 25 | 1" | 15 | 71,0 | 50,0 | 108 | 19,1 | VB15 | 0,43 | ● ○ | ● ○ |
| NB 32 | 1.1/4" | 20 | 78,0 | 57,0 | 108 | 21,4 | VB16 | 0,70 | ● ○ | ● ○ |
| NB 40 | 1.1/2" | 25 | 83,0 | 69,0 | 123 | 21,5 | VB16 | 0,83 | ● ○ | ● ○ |
| NB 50 | 2" | 32 | 100,0 | 74,5 | 123 | 26,0 | VB16 | 1,50 | ● ○ | ● ○ |

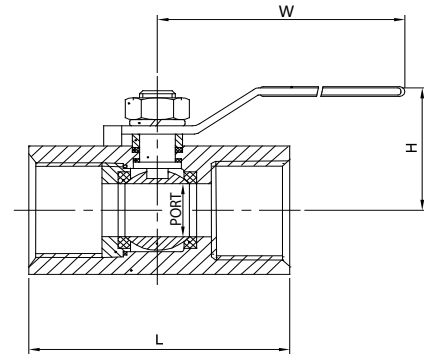
- = stock
- = ex works



Ball valve MDV-003HP

EU 97/23/EC NB CE 0035

EN 10204 3.1



1 piece OUTSIDE POLISHED
reduced bore
f/f thread ISO 228-1G or ANSI B1.2.0.1 (NPT)
nominal pressure NB 8 (1/4") - NB 25 (1") : PN 63
PTFE seats and seals
temperature -20°C upto 180°C

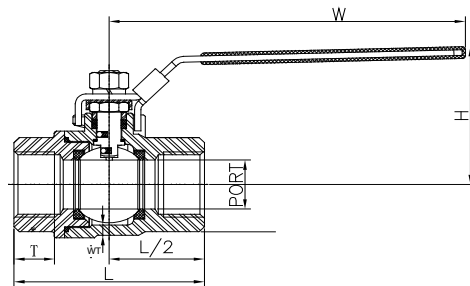
| NB | INCH | PORT | L | H | W | Art. no. | Kg / pc | CF8 | | CF8M | |
|-------|------|------|----|----|-----|----------|---------|-----|---------|------|---------|
| | | | | | | | | 304 | ISO NPT | 316 | ISO NPT |
| NB 8 | 1/4" | 5,0 | 41 | 30 | 60 | VB20 | 0,33 | ○ | ○ | ● | ○ |
| NB 10 | 3/8" | 7,0 | 47 | 30 | 80 | VB20 | 0,33 | ○ | ○ | ● | ○ |
| NB 15 | 1/2" | 9,0 | 58 | 54 | 90 | VB20 | 0,33 | ○ | ○ | ● | ○ |
| NB 20 | 3/4" | 12,5 | 65 | 66 | 100 | VB20 | 0,43 | ○ | ○ | ● | ○ |
| NB 25 | 1" | 15,0 | 77 | 68 | 110 | VB20 | 0,63 | ○ | ○ | ● | ○ |



Ball valve MDV-206L

EU 97/23/EC NB CE 0035

EN 10204 3.1



2 piece full bore
face to face length M3
f/f thread ISO 228-1G or ANSI B1.2.0.1 (NPT)
nominal pressure NB 8 (1/4") - NB 50 (2") : PN 63
nominal pressure NB 65 (2.1/2") - NB 80 (3") : PN 40
PTFE seats and seals
temperature -20°C upto 180°C

| NB | INCH | PORT | L | H | W | T | Art. no. | Kg / pc | CF8 | | CF8M | |
|-------|--------|------|-----|-----|-----|------|----------|---------|-----|---------|------|---------|
| | | | | | | | | | 304 | ISO NPT | 316 | ISO NPT |
| NB 8 | 1/4" | 11,2 | 50 | 48 | 100 | 11,0 | VB25 | 0,23 | ● | ○ | ● | ● |
| NB 10 | 3/8" | 12,5 | 60 | 54 | 100 | 11,5 | VB25 | 0,23 | ● | ○ | ● | ● |
| NB 15 | 1/2" | 15,0 | 75 | 62 | 130 | 15,0 | VB25 | 0,38 | ● | ○ | ● | ● |
| NB 20 | 3/4" | 20,0 | 80 | 66 | 130 | 16,5 | VB25 | 0,52 | ● | ○ | ● | ● |
| NB 25 | 1" | 25,0 | 90 | 70 | 165 | 19,2 | VB25 | 0,92 | ● | ○ | ● | ● |
| NB 32 | 1.1/4" | 32,0 | 110 | 76 | 165 | 21,5 | VB25 | 1,32 | ● | ○ | ● | ○ |
| NB 40 | 1.1/2" | 38,0 | 120 | 89 | 190 | 21,5 | VB25 | 1,90 | ● | ○ | ● | ○ |
| NB 50 | 2" | 50,0 | 140 | 97 | 190 | 25,7 | VB25 | 3,12 | ● | ○ | ● | ○ |
| NB 65 | 2.1/2" | 64,0 | 185 | 125 | 250 | 30,2 | VB25 | 6,50 | ○ | / | ● | / |
| NB 80 | 3" | 76,0 | 205 | 140 | 250 | 33,5 | VB25 | 9,30 | ○ | / | ● | / |

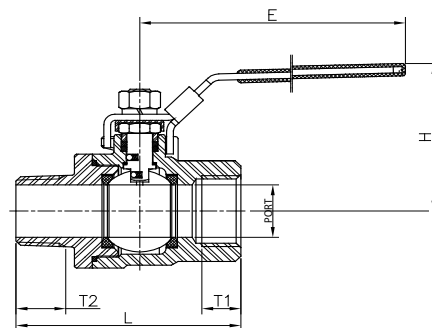
- = stock
- = ex works



Ball valve MDV-211L

EU 97/23/EC NB CE 0035

EN 10204 3.1



2 piece full bore
 f- thread ISO 228-1G or ANSI B1.2.0.1 (NPT)
 m-thread ISO 7-1 R or ANSI B1.2.0.1 (NPT)
 nominal pressure NB 8 (1/4") - NB 50 (2") : PN 63
 PTFE seats and seals
 temperature -20°C upto 180°C

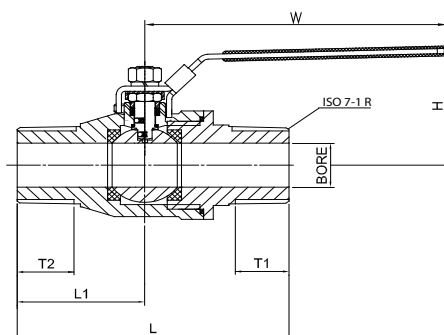
| NB | INCH | PORT | L | H | W | T1 | T2 | Art. no. | Kg / pc | CF8 | | CF8M | |
|-------|--------|------|-----|----|-----|------|----|----------|---------|-----|-----|------|-----|
| | | | | | | | | | | 304 | 316 | ISO | NPT |
| NB 8 | 1/4" | 7 | 70 | 48 | 100 | 11.0 | 17 | VB30 | 0.23 | ● | ● | ● | ● |
| NB 10 | 3/8" | 10 | 75 | 54 | 100 | 11.5 | 20 | VB30 | 0.23 | ● | ● | ● | ● |
| NB 15 | 1/2" | 15 | 90 | 62 | 130 | 15.0 | 23 | VB30 | 0.38 | ● | ● | ● | ● |
| NB 20 | 3/4" | 20 | 95 | 66 | 130 | 16.5 | 25 | VB30 | 0.52 | ● | ● | ● | ● |
| NB 25 | 1" | 25 | 110 | 70 | 165 | 19.2 | 29 | VB30 | 0.92 | ● | ● | ● | ● |
| NB 32 | 1.1/4" | 32 | 125 | 76 | 165 | 21.5 | 32 | VB30 | 1.32 | ● | ● | ● | ● |
| NB 40 | 1.1/2" | 40 | 140 | 89 | 190 | 21.5 | 32 | VB30 | 1.90 | ● | ● | ● | ● |
| NB 50 | 2" | 50 | 155 | 97 | 190 | 25.7 | 35 | VB30 | 3.12 | ● | ● | ● | ● |



Ball valve MDV-212L

EU 97/23/EC NB CE 0035

EN 10204 3.1



2 piece
 full bore
 m/m thread ISO 7-1 R or ANSI B1.2.0.1 (NPT)
 nominal pressure NB 8 (1/4") - NB 50 (2") : PN 63
 PTFE seats and seals
 temperature -20°C upto 180°C

| NB | INCH | PORT | L | H | W | T1 | T2 | Art. no. | Kg / pc | CF8 | | CF8M | |
|-------|--------|------|-----|----|-----|----|----|----------|---------|-----|-----|------|-----|
| | | | | | | | | | | 304 | 316 | ISO | NPT |
| NB 8 | 1/4" | 7 | 70 | 50 | 100 | 13 | 13 | VB35 | 0.23 | ● | ● | ● | ● |
| NB 10 | 3/8" | 10 | 75 | 54 | 100 | 14 | 14 | VB35 | 0.23 | ● | ● | ● | ● |
| NB 15 | 1/2" | 15 | 90 | 62 | 130 | 18 | 18 | VB35 | 0.38 | ● | ● | ● | ● |
| NB 20 | 3/4" | 20 | 95 | 66 | 130 | 20 | 20 | VB35 | 0.52 | ● | ● | ● | ● |
| NB 25 | 1" | 25 | 110 | 70 | 165 | 23 | 23 | VB35 | 0.92 | ● | ● | ● | ● |
| NB 32 | 1.1/4" | 32 | 125 | 76 | 165 | 26 | 26 | VB35 | 1.32 | ● | ● | ● | ● |
| NB 40 | 1.1/2" | 38 | 140 | 89 | 190 | 26 | 26 | VB35 | 1.90 | ● | ● | ● | ● |
| NB 50 | 2" | 50 | 155 | 97 | 190 | 31 | 31 | VB35 | 3.12 | ● | ● | ● | ● |

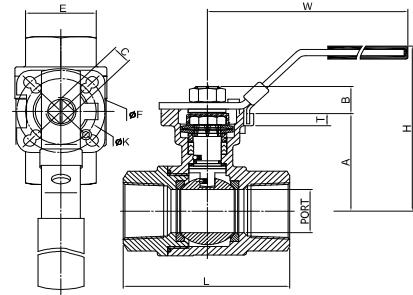
- = stock
- = ex works



Ball valve MDV-368

EU 97/23/EC NB CE 0035

EN 10204 3.1



2 piece with mounting pad ISO5211 "direct mount"
 full bore, face to face M3
 f/f thread ISO 228-1G or ANSI B1.2.0.1 (NPT)
 nominal pressure NB 8 (1/4") - NB 50 (2") : PN 63
 nominal pressure NB 65 (2.1/2") - NB 80 (3") : PN 40
 PTFE seats and seals
 temperature -20°C upto 180°C

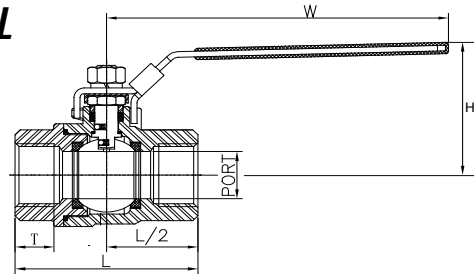
| NB | INCH | PORT | L | W | H | A | B | T | C | F | K | ISO 5211 | Art. no. | Kg / pc | CF8 304 | | CF8M 316 | |
|-------|--------|------|-----|-----|-----|-----|----|----|----|-----|----|----------|----------|---------|---------|-----|----------|-----|
| | | | | | | | | | | | | | | | ISO | NPT | ISO | NPT |
| NB 8 | 1/4" | 7 | 50 | 120 | 64 | 37 | 10 | 6 | 9 | 42 | 36 | F04 F05 | VB40 | 0,40 | ● | ● | ● | ● |
| NB 10 | 3/8" | 10 | 60 | 120 | 64 | 37 | 10 | 6 | 9 | 42 | 36 | F04 F05 | VB40 | 0,45 | ● | ● | ● | ● |
| NB 15 | 1/2" | 15 | 75 | 120 | 64 | 37 | 10 | 6 | 9 | 42 | 36 | F04 F05 | VB40 | 0,56 | ● | ● | ● | ● |
| NB 20 | 3/4" | 20 | 80 | 120 | 70 | 42 | 10 | 6 | 9 | 42 | 36 | F04 F05 | VB40 | 0,75 | ● | ● | ● | ● |
| NB 25 | 1" | 25 | 90 | 165 | 95 | 53 | 15 | 8 | 11 | 50 | 42 | F05 F04 | VB40 | 1,08 | ● | ● | ● | ● |
| NB 32 | 1.1/4" | 32 | 110 | 165 | 98 | 59 | 15 | 8 | 11 | 50 | 42 | F05 F04 | VB40 | 1,75 | ● | ● | ● | ● |
| NB 40 | 1.1/2" | 40 | 120 | 190 | 100 | 68 | 21 | 10 | 14 | 70 | 50 | F05 F07 | VB40 | 2,60 | ● | ● | ● | ● |
| NB 50 | 2" | 50 | 140 | 190 | 108 | 79 | 21 | 10 | 14 | 70 | 50 | F05 F07 | VB40 | 3,20 | ● | ● | ● | ● |
| NB 65 | 2.1/2" | 65 | 185 | 250 | 145 | 98 | 24 | 12 | 17 | 102 | 70 | F07 F05 | VB41 | 7,00 | ● | ● | ● | ● |
| NB 80 | 3" | 76 | 205 | 250 | 160 | 106 | 24 | 12 | 17 | 102 | 70 | F07 F05 | VB41 | 11,00 | ● | ● | ● | ● |



Ball valve MDV-209L

EU 97/23/EC NB CE 0035

EN 10204 3.1



2 piece full bore
 face to face M3
 f/f thread ISO 228-1G or ANSI B1.2.0.1 (NPT)
 nominal pressure NB 8 (1/4") - NB 25 (1") : PN 140
 nominal pressure NB 32 (1.1/4") - NB 50 (2") : PN 100
 RTFE seats and CTFE seals
 temperature -20°C upto 180°C

| NB | INCH | PORT | L | H | W | T | mm | Art. no. | Kg / pc | CF8 304 | | CF8M 316 | |
|-------|--------|------|-----|----|-----|------|----|----------|---------|---------|-----|----------|-----|
| | | | | | | | | | | ISO | NPT | ISO | NPT |
| NB 8 | 1/4" | 7 | 50 | 48 | 100 | 11,0 | | VB45 | 0,30 | ● | ● | ● | ● |
| NB 10 | 3/8" | 10 | 60 | 54 | 100 | 11,5 | | VB45 | 0,30 | ● | ● | ● | ● |
| NB 15 | 1/2" | 15 | 75 | 62 | 130 | 15,0 | | VB45 | 0,50 | ● | ● | ● | ● |
| NB 20 | 3/4" | 20 | 90 | 66 | 130 | 16,5 | | VB45 | 0,60 | ● | ● | ● | ● |
| NB 25 | 1" | 25 | 90 | 70 | 165 | 19,2 | | VB45 | 1,00 | ● | ● | ● | ● |
| NB 32 | 1.1/4" | 32 | 110 | 76 | 165 | 21,5 | | VB46 | 1,50 | ● | ● | ● | ● |
| NB 40 | 1.1/2" | 40 | 120 | 89 | 190 | 21,5 | | VB46 | 2,30 | ● | ● | ● | ● |
| NB 50 | 2" | 50 | 140 | 97 | 190 | 25,7 | | VB46 | 3,70 | ● | ● | ● | ● |

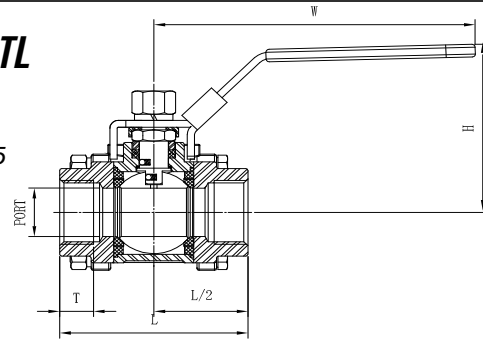
- = stock
- = ex works



Ball valve MDV-205TL

EU 97/23/EC NB CE 0035

EN 10204 3.1



3 piece full bore
face to face M3
f/f thread ISO 228-1G or ANSI B1.2.0.1 (NPT)
nominal pressure NB 8 (1/4") - NB 50 (2") : PN 63
nominal pressure NB 65 (2.1/2") - NB 100 (4") : PN 40
RTFE seats and seals
temperature -20°C upto 180°C

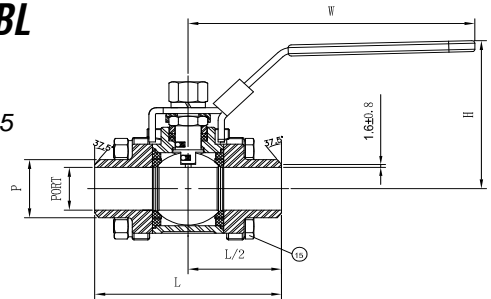
| NB | INCH PORT | L | H | W | T | Art. no. | Kg / pc | CF8 304 | CF8M 316 |
|--------|-----------|-----|-----|-----|-----|----------|---------|------------|-------------|
| | mm | mm | mm | mm | mm | | | ISO NPT | ISO NPT |
| NB 8 | 1/4" | 7 | 50 | 48 | 100 | VB50 | 0,35 | ● ○ | ● ○ |
| NB 10 | 3/8" | 10 | 60 | 48 | 100 | VB50 | 0,35 | ● ○ | ● ○ |
| NB 15 | 1/2" | 15 | 75 | 55 | 130 | VB50 | 0,56 | ● ○ | ● ○ |
| NB 20 | 3/4" | 20 | 80 | 61 | 130 | VB50 | 0,75 | ● ○ | ● ○ |
| NB 25 | 1" | 25 | 90 | 68 | 165 | VB50 | 1,04 | ● ○ | ● ○ |
| NB 32 | 1.1/4" | 32 | 110 | 72 | 165 | VB50 | 1,74 | ● ○ | ● ○ |
| NB 40 | 1.1/2" | 38 | 120 | 84 | 190 | VB50 | 2,41 | ● ○ | ● ○ |
| NB 50 | 2" | 50 | 140 | 92 | 190 | VB50 | 3,66 | ● ○ | ● ○ |
| NB 65 | 2.1/2" | 65 | 185 | 115 | 250 | VB51 | 7,10 | ○ / | ● / |
| NB 80 | 3" | 75 | 205 | 138 | 250 | VB51 | 10,50 | ○ / | ● / |
| NB 100 | 4" | 100 | 240 | 215 | 290 | VB51 | 19,50 | ○ / | ● / |



Ball valve MD-205BL

EU 97/23/EC NB CE 0035

EN 10204 3.1



3 piece full bore
face to face M3
BW ends according ANSI B16.25
nominal pressure NB 8 (1/4") - NB 50 (2") : PN 63
nominal pressure NB 65 (2.1/2") - NB 100 (4") : PN 40
RTFE seats and seals
temperature -20°C upto 180°C

| NB | INCH PORT | P | L | H | W | Art. no. | Kg / pc | CF8 304 | CF8M 316 |
|--------|-----------|-----|-------|-----|-----|----------|---------|------------|-------------|
| | mm | mm | mm | mm | mm | | | | |
| NB 8 | 1/4" | 7 | 13,5 | 70 | 48 | 100 | VB55 | 0,35 | ● ● |
| NB 10 | 3/8" | 10 | 17,2 | 70 | 48 | 100 | VB55 | 0,35 | ● ● |
| NB 15 | 1/2" | 15 | 21,3 | 75 | 56 | 130 | VB55 | 0,56 | ● ● |
| NB 20 | 3/4" | 20 | 26,9 | 90 | 61 | 130 | VB55 | 0,75 | ● ● |
| NB 25 | 1" | 25 | 33,7 | 100 | 68 | 165 | VB55 | 1,04 | ● ● |
| NB 32 | 1.1/4" | 32 | 42,4 | 110 | 72 | 165 | VB55 | 1,74 | ● ● |
| NB 40 | 1.1/2" | 40 | 48,3 | 125 | 84 | 190 | VB55 | 2,41 | ● ● |
| NB 50 | 2" | 50 | 60,3 | 150 | 92 | 190 | VB55 | 3,66 | ● ● |
| NB 65 | 2.1/2" | 65 | 76,1 | 190 | 115 | 250 | VB56 | 7,10 | ○ ● |
| NB 80 | 3" | 76 | 88,9 | 220 | 138 | 250 | VB56 | 10,50 | ○ ● |
| NB 100 | 4" | 100 | 114,3 | 270 | 215 | 290 | VB56 | 19,50 | ○ ● |

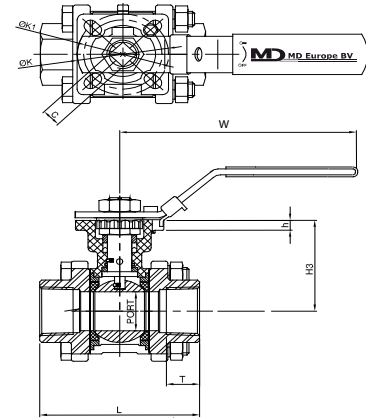
● = stock
○ = ex works



Ball valve MDV-358T

EU 97/23/EC NB CE 0035

EN 10204 3.1



3 piece with mounting pad ISO5211 direct mount
 full bore, face to face M3
 f/f thread ISO 228-1G or ANSI B1.2.0.1 (NPT)
 nominal pressure NB 8 (1/4") - NB 50 (2") : PN 63
 nominal pressure NB 65 (2.1/2") - NB 100 (4") : PN 40
 RTFE seats and seals
 temperature -20°C upto 180°C

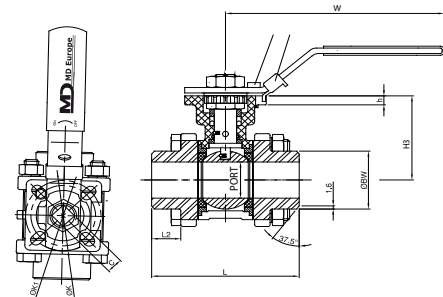
| NB | INCH PORT | L | W | H3 | h | C | T | oK 1 | oK 2 | ISO 5211 | Art. no. | Kg / pc | CF8 304 | CF8M 316 |
|--------|-----------|-----|-----|-----|-------|----|----|------|------|----------|----------|---------|---------|----------|
| | mm | mm | mm | mm | mm | mm | mm | mm | mm | mm | | | ISO NPT | ISO NPT |
| NB 8 | 1/4" | 7 | 50 | 130 | 35,0 | 6 | 8 | 11,0 | 42 | 36 | F04 F03 | VB60 | 0,40 | ● ● ● ● |
| NB 10 | 3/8" | 10 | 55 | 130 | 35,0 | 6 | 8 | 11,4 | 42 | 36 | F04 F03 | VB60 | 0,38 | ● ● ● ● |
| NB 15 | 1/2" | 15 | 75 | 130 | 35,0 | 6 | 8 | 15,0 | 42 | 36 | F04 F03 | VB60 | 0,56 | ● ● ● ● |
| NB 20 | 3/4" | 20 | 80 | 130 | 39,0 | 6 | 8 | 16,3 | 42 | 36 | F04 F03 | VB60 | 0,75 | ● ● ● ● |
| NB 25 | 1" | 25 | 90 | 165 | 50,5 | 8 | 10 | 19,1 | 50 | 42 | F05 F04 | VB60 | 1,08 | ● ● ● ● |
| NB 32 | 1.1/4" | 32 | 110 | 165 | 55,5 | 8 | 10 | 21,4 | 50 | 42 | F05 F04 | VB60 | 1,73 | ● ● ● ● |
| NB 40 | 1.1/2" | 38 | 120 | 190 | 66,0 | 10 | 12 | 21,4 | 70 | 50 | F07 F05 | VB60 | 2,56 | ● ● ● ● |
| NB 50 | 2" | 50 | 140 | 190 | 75,0 | 10 | 12 | 25,7 | 70 | 50 | F07 F05 | VB60 | 3,20 | ● ● ● ● |
| NB 65 | 2.1/2" | 65 | 185 | 250 | 93,5 | 12 | 15 | 30,2 | 102 | 70 | F10 F07 | VB61 | 7,35 | ● ● ● ● |
| NB 80 | 3" | 76 | 205 | 250 | 104,0 | 12 | 15 | 33,3 | 102 | 70 | F10 F07 | VB61 | 11,21 | ● ● ● ● |
| NB 100 | 4" | 100 | 240 | 300 | 130,0 | 12 | 17 | 39,3 | 102 | 70 | F10 F07 | VB61 | 20,30 | ● ● ● ● |



Ball valve MD-358B

EU 97/23/EC NB CE 0035

EN 10204 3.1



3 piece with mounting pad ISO5211 direct mount
 full bore, face to face M3
 BW ends according ANSI B16.25
 nominal pressure NB 8 (1/4") - NB 50 (2") : PN 63
 nominal pressure NB 65 (2.1/2") - NB 100 (4") : PN 40
 RTFE seats and seals
 temperature -20°C upto 180°C

| NB | INCH PORT | W | H3 | h | L | L2 | BW | C | oK 1 | oK 2 | ISO 5211 | Art. no. | Kg / pc | CF8 304 | CF8M 316 |
|--------|-----------|-----|-----|-----|----|-----|------|-----|------|------|----------|----------|---------|---------|----------|
| | mm | mm | mm | mm | mm | mm | mm | mm | mm | mm | mm | | | ISO NPT | ISO NPT |
| NB 8 | 1/4" | 7 | 130 | 35 | 6 | 70 | 10,5 | 14 | 8 | 42 | 36 | F05 F04 | VB65 | 0,40 | ● ● ● ● |
| NB 10 | 3/8" | 10 | 130 | 35 | 6 | 75 | 10,5 | 17 | 8 | 42 | 36 | F05 F04 | VB65 | 0,38 | ● ● ● ● |
| NB 15 | 1/2" | 15 | 130 | 35 | 6 | 75 | 12,0 | 21 | 8 | 42 | 36 | F05 F04 | VB65 | 0,56 | ● ● ● ● |
| NB 20 | 3/4" | 20 | 130 | 39 | 6 | 90 | 15,1 | 27 | 8 | 42 | 36 | F05 F04 | VB65 | 0,75 | ● ● ● ● |
| NB 25 | 1" | 25 | 165 | 51 | 8 | 100 | 16,3 | 34 | 10 | 50 | 42 | F07 F05 | VB65 | 1,08 | ● ● ● ● |
| NB 32 | 1.1/4" | 32 | 165 | 56 | 8 | 110 | 20,0 | 42 | 10 | 50 | 42 | F07 F05 | VB65 | 1,73 | ● ● ● ● |
| NB 40 | 1.1/2" | 38 | 190 | 66 | 10 | 125 | 21,9 | 48 | 12 | 70 | 50 | F07 F05 | VB65 | 2,56 | ● ● ● ● |
| NB 50 | 2" | 50 | 190 | 75 | 10 | 150 | 22,3 | 60 | 12 | 70 | 50 | F07 F05 | VB65 | 3,20 | ● ● ● ● |
| NB 65 | 2.1/2" | 65 | 250 | 94 | 12 | 190 | 25,7 | 76 | 15 | 102 | 70 | F10 F07 | VB66 | 7,35 | ● ● ● ● |
| NB 80 | 3" | 76 | 250 | 105 | 12 | 220 | 28,8 | 89 | 15 | 102 | 70 | F10 F07 | VB66 | 11,21 | ● ● ● ● |
| NB 100 | 4" | 100 | 300 | 131 | 12 | 270 | 40,1 | 114 | 17 | 102 | 70 | F10 F07 | VB66 | 20,30 | ● ● ● ● |

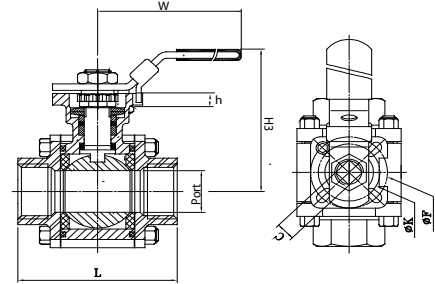
- = stock
- = ex works



Ball valve MDV-355T FS

EU 97/23/EC NB CE 0035

EN 10204 3.1



3 piece with mounting pad ISO5211 direct mount
 full bore, face to face M3
 f/f thread ISO 228-1G or ANSI B1.2.0.1 (NPT)
 nominal pressure NB 8 (1/4") - NB 25 (1") : PN 140
 nominal pressure NB 32 (1.1/4") - NB 50 (2") : PN 100
 RTFE seats and CTFE seals
 temperature -20°C upto 180°C

FIRE SAFE API 607 CERTIFIED

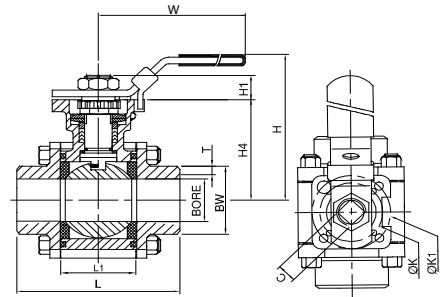
| NB | INCH PORT | L | W | H3 | h | C | oK1 | oK2 | ISO 5211 | Art. no. | Kg / pc | CF8 304 | CF8M 316 |
|-------|-----------|----|-----|-----|------|----|-----|-----|----------|----------|---------|---------|----------|
| | mm | mm | mm | mm | mm | mm | mm | mm | | | | ISO NPT | ISO NPT |
| NB 8 | 1/4" | 7 | 50 | 139 | 42,6 | 6 | 9 | 36 | 42 | F03 F04 | VB70 | 0,81 | ● ● ● ● |
| NB 10 | 3/8" | 10 | 60 | 139 | 42,6 | 6 | 9 | 36 | 42 | F03 F04 | VB70 | 0,81 | ● ● ● ● |
| NB 15 | 1/2" | 15 | 75 | 139 | 42,6 | 6 | 9 | 36 | 42 | F03 F04 | VB70 | 0,81 | ● ● ● ● |
| NB 20 | 3/4" | 20 | 80 | 165 | 46,9 | 8 | 9 | 36 | 42 | F03 F04 | VB70 | 1,27 | ● ● ● ● |
| NB 25 | 1" | 25 | 90 | 165 | 59,3 | 10 | 11 | 42 | 50 | F04 F05 | VB70 | 1,94 | ● ● ● ● |
| NB 32 | 1.1/4" | 32 | 110 | 215 | 62,6 | 10 | 11 | 42 | 50 | F04 F05 | VB71 | 2,65 | ● ● ● ● |
| NB 40 | 1.1/2" | 40 | 120 | 215 | 79,0 | 13 | 14 | 50 | 70 | F05 F07 | VB71 | 3,75 | ● ● ● ● |
| NB 50 | 2" | 50 | 140 | 215 | 87,7 | 13 | 14 | 50 | 70 | F05 F07 | VB71 | 5,53 | ● ● ● ● |



Ball valve MDV-355B FS

EU 97/23/EC NB CE 0035

EN 10204 3.1



3 piece with mounting pad ISO5211 direct mount
 full bore, face to face M3
 BW ends according ANSI B16.25
 nominal pressure NB 8 (1/4") - NB 25 (1") : PN 140
 nominal pressure NB 32 (1.1/4") - NB 50 (2") : PN 100
 CTFE seats and seals
 temperature -20°C upto 180°C

FIRE SAFE API 607 CERTIFIED

| NB | INCH PORT | W | H | h | H3 | L | L1 | BW | T | C | oK 1 | oK 2 | ISO 5211 | Art. no. | Kg / pc | CF8 304 | CF8M 316 |
|-------|-----------|----|-----|-------|----|------|-----|----|------|------|------|------|----------|----------|---------|---------|----------|
| | mm | mm | mm | mm | mm | mm | mm | mm | mm | mm | mm | mm | | | | | |
| NB 8 | 1/4" | 7 | 139 | 77,0 | 6 | 42,6 | 70 | 25 | 13,7 | 2,24 | 9 | 36 | 42 | F03 F04 | VB75 | 0,81 | ● ● |
| NB 10 | 3/8" | 10 | 139 | 77,0 | 6 | 42,6 | 70 | 25 | 17,2 | 2,31 | 9 | 36 | 42 | F03 F04 | VB75 | 0,81 | ● ● |
| NB 15 | 1/2" | 15 | 139 | 77,0 | 6 | 42,6 | 75 | 25 | 21,3 | 2,77 | 9 | 36 | 42 | F03 F04 | VB75 | 0,81 | ● ● |
| NB 20 | 3/4" | 20 | 165 | 82,0 | 8 | 46,9 | 90 | 31 | 26,7 | 2,87 | 9 | 36 | 42 | F03 F04 | VB75 | 1,27 | ● ● |
| NB 25 | 1" | 25 | 165 | 98,5 | 10 | 59,3 | 100 | 41 | 33,4 | 3,38 | 11 | 42 | 50 | F04 F05 | VB75 | 1,94 | ● ● |
| NB 32 | 1.1/4" | 32 | 215 | 102,0 | 10 | 62,6 | 110 | 48 | 42,0 | 3,56 | 11 | 42 | 50 | F04 F05 | VB76 | 2,65 | ● ● |
| NB 40 | 1.1/2" | 40 | 215 | 128,0 | 13 | 79,0 | 125 | 56 | 48,3 | 3,68 | 14 | 50 | 72 | F05 F07 | VB76 | 3,75 | ● ● |
| NB 50 | 2" | 50 | 215 | 137,0 | 13 | 87,7 | 150 | 71 | 60,3 | 3,91 | 14 | 50 | 72 | F05 F07 | VB76 | 5,53 | ● ● |

- = stock
- = ex works

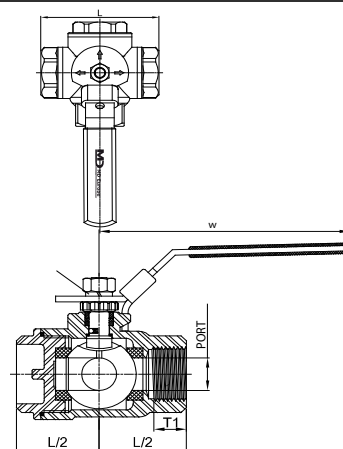


Ball valve MDK-302L

EU 97/23/EC NB CE 0035

EN 10204 3.1

4 piece, 3 way, L-bore, reduced bore
 f/f/f thread ISO 228-1G or ANSI B1.2.0.1 (NPT)
 nominal pressure NB 8 (1/4") - NB 25 (1") : PN 63
 nominal pressure NB 32 (1.1/4") - NB 50 (2") : PN 40
 RTFE seats and seals
 temperature -20°C upto 180°C



| NB | INCH | BORE | W | L/2 | L | T | Art. no. | Kg / pc | CF8 | | CF8M | |
|-------|--------|------|-----|------|-----|------|----------|---------|-----|-----|------|-----|
| | | | | | | | | | 304 | 316 | ISO | NPT |
| NB 8 | 1/4" | 10 | 64 | 34,0 | 72 | 13,0 | VD10 | 0,40 | ● | ● | ● | ● |
| NB 10 | 3/8" | 10 | 67 | 34,0 | 72 | 13,0 | VD10 | 0,40 | ● | ● | ● | ● |
| NB 15 | 1/2" | 13 | 67 | 34,0 | 72 | 15,0 | VD10 | 0,40 | ● | ● | ● | ● |
| NB 20 | 3/4" | 16 | 67 | 43,5 | 88 | 16,5 | VD10 | 0,40 | ● | ● | ● | ● |
| NB 25 | 1" | 20 | 83 | 47,5 | 105 | 19,2 | VD10 | 0,70 | ● | ● | ● | ● |
| NB 32 | 1.1/4" | 25 | 89 | 50,5 | 120 | 21,4 | VD12 | 0,90 | ● | ● | ● | ● |
| NB 40 | 1.1/2" | 32 | 100 | 61,5 | 130 | 21,4 | VD12 | 2,20 | ● | ● | ● | ● |
| NB 50 | 2" | 38 | 108 | 70,5 | 156 | 26,0 | VD12 | 3,30 | ● | ● | ● | ● |

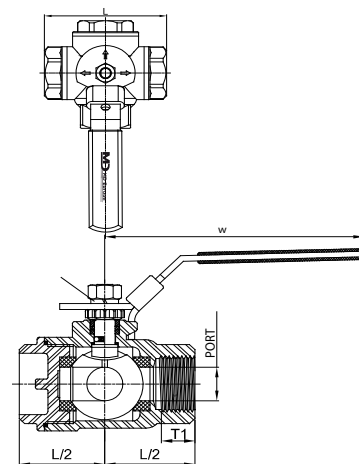


Ball valve MDK-302T

EU 97/23/EC NB CE 0035

EN 10204 3.1

4 piece, 3 way, T-bore, reduced bore
 f/f/f thread ISO 228-1G or ANSI B1.2.0.1 (NPT)
 nominal pressure NB 8 (1/4") - NB 25 (1") : PN 63
 nominal pressure NB 32 (1.1/4") - NB 50 (2") : PN 40
 RTFE seats and seals
 temperature -20°C upto 180°C



| NB | INCH | BORE | W | L/2 | L | T | Art. no. | Kg / pc | CF8 | | CF8M | |
|-------|--------|------|-----|-----|-------|------|----------|---------|-----|-----|------|-----|
| | | | | | | | | | 304 | 304 | ISO | NPT |
| NB 8 | 1/4" | 10 | 64 | 34 | 72,0 | 13,0 | VD15 | 0,40 | ● | ● | ● | ● |
| NB 10 | 3/8" | 10 | 67 | 34 | 72,0 | 13,0 | VD15 | 0,40 | ● | ● | ● | ● |
| NB 15 | 1/2" | 13 | 67 | 34 | 72,0 | 15,0 | VD15 | 0,40 | ● | ● | ● | ● |
| NB 20 | 3/4" | 16 | 67 | 44 | 88,0 | 16,5 | VD15 | 0,40 | ● | ● | ● | ● |
| NB 25 | 1" | 20 | 83 | 48 | 104,5 | 19,2 | VD15 | 0,70 | ● | ● | ● | ● |
| NB 32 | 1.1/4" | 25 | 89 | 51 | 120,0 | 21,4 | VD16 | 0,90 | ● | ● | ● | ● |
| NB 40 | 1.1/2" | 32 | 100 | 62 | 130,0 | 21,4 | VD16 | 2,20 | ● | ● | ● | ● |
| NB 50 | 2" | 38 | 108 | 71 | 156,0 | 26,0 | VD16 | 3,30 | ● | ● | ● | ● |

- = stock
- = ex works

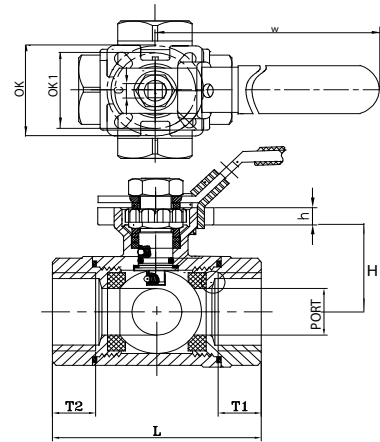


Ball valve MDK-318L

Ball valve MDK-318L

EU 97/23/EC NB CE 0035

EN 10204 3.1



4 piece, 3 way, L-bore, reduced bore
 f/f/f thread ISO 228-1G or ANSI B1.2.0.1 (NPT)
 nominal pressure NB 8 (1/4") - NB 25 (1") : PN 63
 nominal pressure NB 32 (1.1/4") - NB 50 (2") : PN 40
 PTFE seats and seals
 temperature -20°C upto 180°C

| NB | INCH PORT | W | H | L | H | h | T1/2 | C | oK1 | oK2 | ISO 5211 | Art. no. | Kg / pc | CF8 304 | | CF8M 316 | |
|-------|-----------|-----|----|-----|-----|------|------|----|-----|-----|----------|----------|---------|---------|-----|----------|-----|
| | | | | | | | | | | | | | | ISO | NPT | ISO | NPT |
| NB 8 | 1/4" | 115 | 30 | 75 | 100 | 4,75 | 15,0 | 9 | 42 | 36 | F04 F03 | VD20 | 0,50 | ● | ● | ● | ● |
| NB 10 | 3/8" | 115 | 30 | 75 | 100 | 4,75 | 15,0 | 9 | 42 | 36 | F04 F03 | VD20 | 0,50 | ○ | ○ | ● | ● |
| NB 15 | 1/2" | 115 | 35 | 75 | 130 | 5,00 | 15,0 | 9 | 42 | 36 | F04 F03 | VD20 | 0,65 | ○ | ○ | ● | ● |
| NB 20 | 3/4" | 115 | 40 | 85 | 130 | 7,00 | 20,0 | 9 | 42 | 36 | F04 F03 | VD20 | 1,00 | ○ | ○ | ● | ● |
| NB 25 | 1" | 135 | 45 | 102 | 165 | 7,00 | 20,0 | 11 | 50 | 42 | F05 F04 | VD20 | 1,10 | ○ | ○ | ● | ● |
| NB 32 | 1.1/4" | 185 | 50 | 120 | 165 | 7,00 | 23,5 | 11 | 50 | 42 | F05 F04 | VD21 | 1,80 | ○ | ○ | ● | ● |
| NB 40 | 1.1/2" | 185 | 70 | 120 | 190 | 7,00 | 23,5 | 14 | 70 | 50 | F07 F05 | VD21 | 2,75 | ○ | ○ | ● | ● |
| NB 50 | 2" | 200 | 80 | 150 | 190 | 7,00 | 25,0 | 14 | 70 | 50 | F07 F05 | VD21 | 3,50 | ○ | ○ | ● | ● |

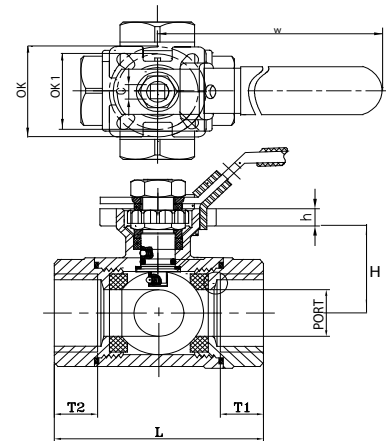


Ball valve MDK-318T

Ball valve MDK-318T

EU 97/23/EC NB CE 0035

EN 10204 3.1



4 piece, 3 way, L-bore, reduced bore
 f/f/f thread ISO 228-1G or ANSI B1.2.0.1 (NPT)
 nominal pressure NB 8 (1/4") - NB 25 (1") : PN 63
 nominal pressure NB 32 (1.1/4") - NB 50 (2") : PN 40
 PTFE seats and seals
 temperature -20°C upto 180°C

| NB | INCH PORT | W | H | L | H | h | T1/2 | C | oK1 | oK2 | ISO 5211 | Art. no. | Kg / pc | CF8 304 | | CF8M 316 | |
|-------|-----------|-----|----|-----|-----|------|------|----|-----|-----|----------|----------|---------|---------|-----|----------|-----|
| | | | | | | | | | | | | | | ISO | NPT | ISO | NPT |
| NB 8 | 1/4" | 115 | 30 | 75 | 100 | 4,75 | 15,0 | 9 | 42 | 36 | F04 F03 | VD25 | 0,50 | ○ | ○ | ● | ● |
| NB 10 | 3/8" | 115 | 30 | 75 | 100 | 4,75 | 15,0 | 9 | 42 | 36 | F04 F03 | VD25 | 0,50 | ○ | ○ | ● | ● |
| NB 15 | 1/2" | 115 | 35 | 75 | 130 | 5,00 | 15,0 | 9 | 42 | 36 | F04 F03 | VD25 | 0,65 | ○ | ○ | ● | ● |
| NB 20 | 3/4" | 115 | 40 | 85 | 130 | 7,00 | 20,0 | 9 | 42 | 36 | F04 F03 | VD25 | 1,00 | ○ | ○ | ● | ● |
| NB 25 | 1" | 135 | 45 | 102 | 165 | 7,00 | 20,0 | 11 | 50 | 42 | F05 F04 | VD25 | 1,10 | ○ | ○ | ● | ● |
| NB 32 | 1.1/4" | 185 | 50 | 120 | 165 | 7,00 | 23,5 | 11 | 50 | 42 | F05 F04 | VD26 | 1,80 | ○ | ○ | ● | ● |
| NB 40 | 1.1/2" | 185 | 70 | 120 | 190 | 7,00 | 23,5 | 14 | 70 | 50 | F07 F05 | VD26 | 2,75 | ○ | ○ | ● | ● |
| NB 50 | 2" | 200 | 80 | 150 | 190 | 7,00 | 25,0 | 14 | 70 | 50 | F07 F05 | VD26 | 3,50 | ○ | ○ | ● | ● |

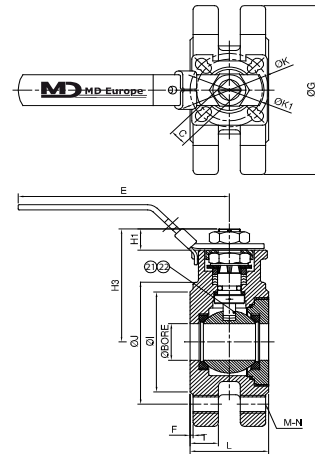
- = stock
- = ex works



Ball valve MDF-56

EU 97/23/EC NB CE 0035

EN 10204 3.1



1 piece full bore
 flanges according to DIN/EN
 nominal pressure NB 15 (1/2") - NB50 (2") : PN 40
 nominal pressure NB 65 (2.1/2") - NB 100 (4") : PN 16
 PTFE seats and seals
 temperature -20°C upto 180°C

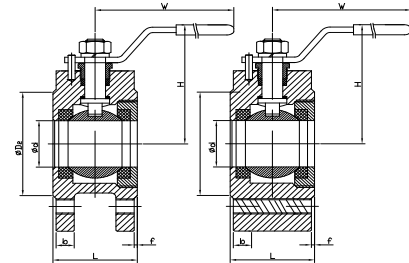
| NB | INCH | BORE | I | J | G | E | F | H1 | H3 | K | M-N | L | C | T | K1 | Art. no. | 4308 | 4408 |
|--------|--------|------|-----|-----|-----|-----|----|----|-------|-----|-------|-------|----|----|-----|----------|------|------|
| | | mm | mm | mm | mm | mm | mm | mm | mm | mm | mm | mm | mm | mm | mm | | | |
| NB 15 | 1/2" | 15 | 45 | 65 | 95 | 135 | 2 | 10 | 65,0 | - | M12-4 | 40,8 | 9 | 16 | 42 | VW15 | ● | ● |
| NB 20 | 3/4" | 20 | 58 | 75 | 105 | 135 | 2 | 10 | 67,5 | - | M12-4 | 44,0 | 9 | 16 | 42 | VW15 | ○ | ● |
| NB 25 | 1" | 25 | 68 | 85 | 115 | 142 | 2 | 12 | 74,5 | 50 | M12-4 | 50,0 | 11 | 18 | 42 | VW15 | ○ | ● |
| NB 32 | 1.1/4" | 32 | 78 | 100 | 140 | 142 | 2 | 12 | 87,0 | 50 | M16-4 | 60,0 | 11 | 18 | 42 | VW15 | ○ | ● |
| NB 40 | 1.1/2" | 38 | 88 | 110 | 150 | 200 | 2 | 16 | 103,0 | 70 | M16-4 | 65,0 | 14 | 18 | 50 | VW15 | ○ | ● |
| NB 50 | 2" | 50 | 102 | 125 | 165 | 200 | 2 | 16 | 110,6 | 70 | M16-4 | 80,0 | 14 | 20 | 50 | VW15 | ○ | ● |
| NB 65 | 2.1/2" | 63 | 122 | 145 | 185 | 185 | 2 | 19 | 131,8 | 102 | M16-4 | 110,0 | 17 | 18 | 70 | VW16 | ○ | ● |
| NB 80 | 3" | 77 | 138 | 160 | 200 | 200 | 2 | 24 | 153,3 | 125 | M16-8 | 120,0 | 22 | 20 | 102 | VW16 | ○ | ● |
| NB 100 | 4" | 96 | 158 | 180 | 220 | 220 | 2 | 24 | 168,3 | 125 | M16-8 | 150,0 | 22 | 20 | 102 | VW16 | ○ | ● |



Ball valve MDF-57

EU 97/23/EC NB CE 0035

EN 10204 3.1



1 piece full bore
 flanges according to DIN/EN
 nominal pressure NB 15 (1/2") - NB50 (2") : PN40
 nominal pressure NB65 (2.1/2") - NB100 (4") : PN16
 PTFE seats and seals
 temperature -20°C upto 180°C

| NB | INCH | d | L | D | D1 | D2 | H | W | B | n-M | F | Art. no. | 4308 | 4408 |
|--------|--------|-----|-----|-----|-----|-----|-----|-----|----|-------|----|----------|------|------|
| | | mm | mm | mm | mm | mm | mm | mm | mm | mm | mm | | | |
| NB 15 | 1/2" | 15 | 32 | 95 | 65 | 45 | 65 | 110 | 16 | 4-M12 | 2 | VW10 | ● | ● |
| NB 20 | 3/4" | 20 | 38 | 105 | 75 | 54 | 73 | 125 | 16 | 4-M12 | 2 | VW10 | ● | ● |
| NB 25 | 1" | 25 | 44 | 115 | 85 | 65 | 84 | 135 | 18 | 4-M12 | 2 | VW10 | ● | ● |
| NB 32 | 1.1/4" | 32 | 54 | 140 | 100 | 78 | 91 | 150 | 18 | 4-M16 | 2 | VW10 | ● | ● |
| NB 40 | 1.1/2" | 40 | 62 | 150 | 110 | 82 | 100 | 150 | 18 | 4-M16 | 2 | VW10 | ● | ● |
| NB 50 | 2" | 50 | 72 | 165 | 125 | 97 | 108 | 180 | 18 | 4-M16 | 2 | VW10 | ● | ● |
| NB 65 | 2.1/2" | 65 | 95 | 185 | 145 | 122 | 136 | 240 | 18 | 4-M16 | 2 | VW10 | ● | ● |
| NB 80 | 3" | 80 | 120 | 200 | 160 | 138 | 160 | 300 | 20 | 8-M16 | 2 | VW11 | ● | ● |
| NB 100 | 4" | 100 | 140 | 220 | 180 | 158 | 175 | 360 | 20 | 8-M16 | 2 | VW11 | ● | ● |

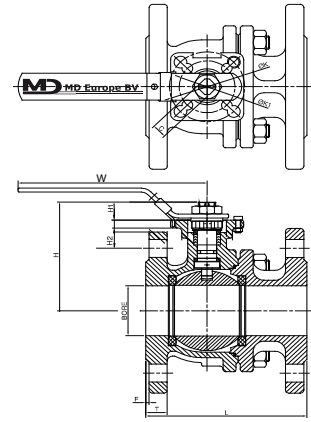
- = stock
- = ex works



Ball valve MDF-55E

EU 97/23/EC NB CE 0035

EN 10204 3.1



2 piece, full bore
flanges according to EN 1092-1
NB 15-NB 100 f. to f. length acc. to DIN 3201 F4 EN 558-1 tabel 1 row 14
NB 125-NB 150 f. to f. length acc. to DIN 3201 F5 EN 558-1 tabel 1 row 15
nominal pressure NB 15 (1/2")-NB 50 (2") : PN 40
nominal pressure NB 65 (2.1/2")-NB 150 (6") : PN 16
with mounting pad according ISO 5211

PTFE seats and seals temperature -20°C upto 180°C

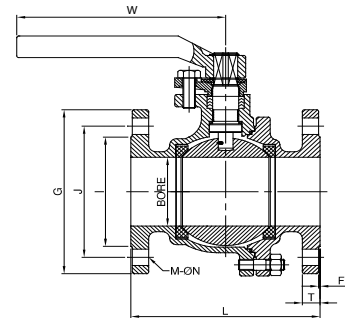
| NB | INCH | BORE | W | H1 | H2 | H | L | T | F | C | oK1 | oK2 | ISO 5211 | Art. no. | Kg / pc | 4308 | 4408 |
|--------|--------|------|-----|----|------|-------|-----|----|----|----|-----|-----|----------|----------|---------|------|------|
| | | mm | mm | mm | mm | mm | mm | mm | mm | mm | mm | mm | | | | | |
| NB 15 | 1/2" | 15 | 142 | 12 | 7,5 | 64,5 | 115 | 16 | 2 | 11 | 42 | 50 | F04 F05 | VF30 | 2,97 | ○ | ● |
| NB 20 | 3/4" | 20 | 142 | 12 | 7,5 | 69,5 | 120 | 18 | 2 | 11 | 42 | 50 | F04 F05 | VF30 | 3,41 | ○ | ● |
| NB 25 | 1" | 25 | 142 | 12 | 7,5 | 74,5 | 125 | 18 | 2 | 11 | 42 | 50 | F04 F05 | VF30 | 4,73 | ○ | ● |
| NB 32 | 1.1/4" | 32 | 142 | 12 | 7,5 | 87,0 | 130 | 18 | 2 | 11 | 42 | 50 | F04 F05 | VF30 | 6,82 | ○ | ● |
| NB 40 | 1.1/2" | 40 | 200 | 16 | 10,0 | 103,0 | 140 | 18 | 2 | 14 | 50 | 70 | F05 F07 | VF30 | 8,91 | ○ | ● |
| NB 50 | 2" | 50 | 200 | 16 | 10,0 | 110,5 | 150 | 20 | 2 | 14 | 50 | 70 | F05 F07 | VF30 | 11,00 | ○ | ● |
| NB 65 | 2.1/2" | 76 | 210 | 19 | 12,0 | 112,8 | 170 | 20 | 2 | 17 | 70 | 102 | F07 F10 | VF31 | 15,40 | ○ | ● |
| NB 80 | 3" | 80 | 283 | 24 | 12,0 | 153,3 | 180 | 20 | 2 | 22 | 102 | 125 | F10 F12 | VF31 | 20,35 | ○ | ● |
| NB 100 | 4" | 100 | 283 | 24 | 12,0 | 168,3 | 190 | 20 | 2 | 22 | 102 | 125 | F10 F12 | VF31 | 29,26 | ○ | ● |
| NB 125 | 5" | 125 | 640 | 30 | 14,0 | 224,0 | 325 | 22 | 2 | 30 | 125 | 140 | F12 F14 | VF32 | 56,40 | ○ | ● |
| NB 150 | 6" | 150 | 640 | 30 | 14,0 | 243,0 | 350 | 22 | 2 | 30 | 125 | 140 | F12 F14 | VF32 | 78,43 | ○ | ● |



Ball valve MDF-59E

EU 97/23/EC NB CE 0035

EN 10204 3.1



2 piece, full bore
flanges according to EN 1092-1
NB 15-NB 100 f. to f. length acc. to DIN 3201 F4 EN 558-1 tabel 1 row 14
NB 125-NB 150 f. to f. length acc. to DIN 3201 F5 EN 558-1 tabel 1 row 15
nominal pressure NB 15 (1/2")-NB 50 (2") : PN 40
nominal pressure NB 65 (2.1/2")-NB 150 (6") : PN 16
RTFE seats and seals temperature -20°C upto 180°C

| NB | INCH | BORE | L | E | G | J | I | T | F | M | N | Art. no. | Kg / pc | 4308 | 4408 |
|--------|--------|------|-----|-----|-----|-----|-----|----|----|----|----|----------|---------|------|------|
| | | mm | mm | mm | mm | mm | mm | mm | mm | mm | mm | | | | |
| NB 15 | 1/2" | 15 | 115 | 130 | 95 | 65 | 45 | 16 | 2 | 4 | 14 | VF20 | 2,70 | ● | ● |
| NB 20 | 3/4" | 20 | 120 | 130 | 105 | 75 | 58 | 16 | 2 | 4 | 14 | VF20 | 3,10 | ● | ● |
| NB 25 | 1" | 25 | 125 | 162 | 115 | 85 | 68 | 18 | 2 | 4 | 14 | VF20 | 4,30 | ● | ● |
| NB 32 | 1.1/4" | 32 | 130 | 162 | 140 | 100 | 78 | 18 | 2 | 4 | 14 | VF20 | 6,20 | ● | ● |
| NB 40 | 1.1/2" | 40 | 140 | 197 | 150 | 110 | 88 | 18 | 2 | 4 | 18 | VF20 | 8,10 | ● | ● |
| NB 50 | 2" | 50 | 150 | 197 | 165 | 125 | 102 | 20 | 2 | 4 | 18 | VF20 | 10,00 | ● | ● |
| NB 65 | 2.1/2" | 65 | 170 | 197 | 185 | 145 | 122 | 20 | 2 | 4 | 18 | VF21 | 14,00 | ● | ● |
| NB 80 | 3" | 80 | 180 | 329 | 200 | 160 | 138 | 20 | 2 | 8 | 18 | VF21 | 18,50 | ● | ● |
| NB 100 | 4" | 100 | 190 | 329 | 235 | 180 | 158 | 20 | 2 | 8 | 18 | VF21 | 26,60 | ● | ● |
| NB 125 | 5" | 125 | 325 | 450 | 250 | 210 | 188 | 22 | 2 | 8 | 18 | VF22 | 54,00 | ○ | ● |
| NB 150 | 6" | 150 | 350 | 755 | 285 | 240 | 212 | 22 | 2 | 8 | 18 | VF22 | 71,30 | ○ | ● |

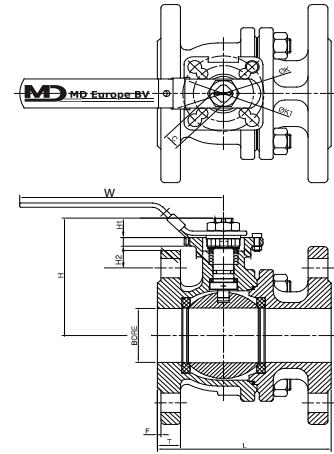
- = stock
- = ex works



Ball valve MDF-55A

EU 97/23/EC NB CE 0035

EN 10204 3.1



2 piece, full bore
flanged according ANSO B16.5 150 lbs
face to face dimensions ANSI B16.10
shell wall th. and pres./temp. to ANSI B16.34
with mounting pad according ISO 5211
RTFE seats and seals
temperature -20°C upto 180°C

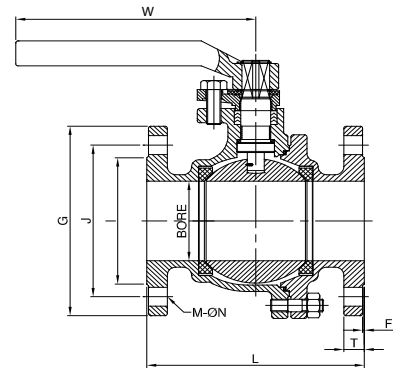
| NB | INCH | BORE | W | H | L | T | H1 | H2 | L | F | C | oK | oK | ISO | Art. no. | CF8 304 | CF8M 316 |
|--------|--------|------|-----|-------|-------|------|------|------|-------|-----|----|-----|-----|---------|----------|------------|-------------|
| | | mm | mm | mm | mm | mm | mm | mm | mm | mm | mm | 1 | 2 | 5211 | | | |
| NB 15 | 1/2" | 15 | 142 | 67,0 | 108,0 | 11,2 | 13,0 | 7,5 | 108,0 | 1,5 | 11 | 42 | 50 | F04 F05 | VF35 | ○ | ● |
| NB 20 | 3/4" | 20 | 142 | 69,5 | 117,5 | 11,2 | 13,0 | 7,5 | 117,5 | 1,5 | 11 | 42 | 50 | F04 F05 | VF35 | ○ | ● |
| NB 25 | 1" | 25 | 142 | 76,1 | 127,0 | 11,2 | 13,6 | 7,5 | 127,0 | 1,5 | 11 | 42 | 50 | F04 F05 | VF35 | ○ | ● |
| NB 32 | 1.1/4" | 32 | 142 | 88,5 | 139,7 | 12,7 | 13,6 | 7,5 | 139,7 | 1,5 | 11 | 42 | 50 | F04 F05 | VF35 | ○ | ● |
| NB 40 | 1.1/2" | 40 | 200 | 103,0 | 165,1 | 14,3 | 16,0 | 8,0 | 165,1 | 1,5 | 14 | 50 | 70 | F05 F07 | VF35 | ○ | ● |
| NB 50 | 2" | 50 | 200 | 110,6 | 177,8 | 15,9 | 16,0 | 8,0 | 177,8 | 1,5 | 14 | 50 | 70 | F05 F07 | VF35 | ○ | ● |
| NB 65 | 2.1/2" | 76 | 210 | 131,8 | 190,0 | 17,6 | 19,0 | 19,0 | 190,0 | 1,5 | 17 | 70 | 102 | F07 F10 | VF35 | ○ | ● |
| NB 80 | 3" | 80 | 283 | 153,3 | 203,2 | 19,1 | 24,0 | 24,0 | 203,2 | 1,5 | 22 | 102 | 125 | F10 F12 | VF35 | ○ | ● |
| NB 100 | 4" | 100 | 283 | 168,3 | 228,6 | 23,9 | 24,0 | 24,0 | 228,6 | 1,5 | 22 | 102 | 125 | F10 F12 | VF35 | ○ | ● |
| NB 125 | 5" | 125 | 640 | 224,0 | 356,0 | 23,9 | 30,0 | 26,0 | 356,0 | 1,5 | 30 | 125 | 140 | F12 F14 | VF35 | ○ | ● |
| NB 150 | 6" | 150 | 640 | 243,0 | 394,0 | 25,4 | 30,0 | 26,0 | 394,0 | 1,5 | 30 | 125 | 140 | F12 F14 | VF35 | ○ | ● |



Ball valve MDF-59A

EU 97/23/EC NB CE 0035

EN 10204 3.1



2 piece, full bore
flanged according ANSO B16.5 150 lbs
face to face dimensions ANSI B16.10
shell wall th. and pres./temp. to ANSI B16.34
RTFE seats and seals
temperature -20°C upto 180°C
"fire save" design

| NB | INCH | BORE | L | W | H | J | I | T | F | M | N | Art. no. | Kg / pc | CF8 304 | CF8M 316 |
|--------|--------|------|-----|-------|-------|-------|-----|------|----|----|----|----------|---------|------------|-------------|
| | | mm | mm | mm | mm | mm | mm | mm | mm | mm | mm | | | | |
| NB 15 | 1/2" | 15 | 108 | 130,0 | 88,9 | 60,5 | 35 | 11,2 | 2 | 4 | 16 | VF25 | 2,70 | ○ | ○ |
| NB 20 | 3/4" | 20 | 117 | 130,0 | 98,6 | 70,0 | 43 | 12,7 | 2 | 4 | 16 | VF25 | 3,10 | ○ | ○ |
| NB 25 | 1" | 25 | 127 | 162,0 | 108,0 | 79,2 | 51 | 14,2 | 2 | 4 | 16 | VF25 | 4,30 | ○ | ○ |
| NB 32 | 1.1/4" | 32 | 140 | 162,0 | 117,3 | 88,9 | 64 | 15,7 | 2 | 4 | 16 | VF25 | 6,20 | ○ | ○ |
| NB 40 | 1.1/2" | 40 | 165 | 197,0 | 127,0 | 98,6 | 73 | 17,5 | 2 | 4 | 16 | VF25 | 8,10 | ○ | ○ |
| NB 50 | 2" | 50 | 178 | 197,0 | 152,4 | 120,7 | 92 | 19,1 | 2 | 4 | 19 | VF25 | 10,00 | ○ | ○ |
| NB 65 | 2.1/2" | 65 | 190 | 197,0 | 177,8 | 139,7 | 105 | 22,4 | 2 | 4 | 19 | VF25 | 14,00 | ○ | ○ |
| NB 80 | 3" | 76 | 203 | 329,0 | 190,5 | 152,4 | 127 | 23,9 | 2 | 4 | 19 | VF25 | 18,50 | ○ | ○ |
| NB 100 | 4" | 100 | 229 | 329,0 | 228,6 | 190,5 | 157 | 23,9 | 2 | 4 | 19 | VF25 | 26,60 | ○ | ○ |
| NB 125 | 5" | 125 | 254 | 340,0 | 254,0 | 215,9 | 186 | 23,9 | 2 | 4 | 22 | VF25 | 54,00 | ○ | ○ |
| NB 150 | 6" | 150 | 394 | 752,5 | 279,4 | 241,3 | 216 | 25,4 | 2 | 4 | 22 | VF25 | 71,30 | ○ | ○ |

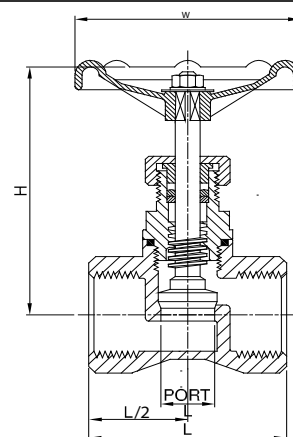
- = stock
- = ex works



Globe valve MDV-GB

EU 97/23/EC NB CE 0035

EN 10204 3.1



screwed-in bonnet, non rising stem
 reduced bore, solid wedge disc
 f/f thread ISO 228-1G or ANSI B1.2.0.1 (NPT)
 nominal pressure NB 8 (1/4") - NB 25 (1") : PN 63
 nominal pressure NB 32 (1.1/4") - NB 50 (2") : PN 40
 PTFE seats and seals
 temperature -20°C upto 180°C

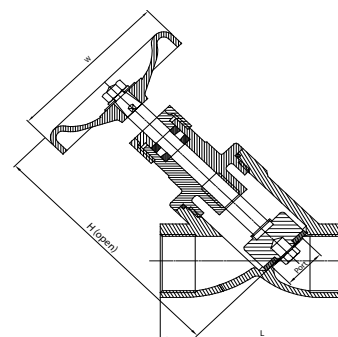
| NB | INCH PORT | H(open) mm | L mm | L/2 | E mm | Art. no. | Kg / pc | CF8 304 | | CF8M 316 | |
|-------|-----------|---------------|---------|-----|---------|----------|---------|------------|-----|-------------|-----|
| | | | | | | | | ISO | NPT | ISO | NPT |
| NB 8 | 1/4" | 12 | 77 | 52 | 26 70 | VL10 | 0,30 | ● | ● | ● | ● |
| NB 10 | 3/8" | 12 | 77 | 52 | 26 70 | VL10 | 0,30 | ● | ● | ● | ● |
| NB 15 | 1/2" | 12 | 79 | 52 | 26 70 | VL10 | 0,30 | ● | ● | ● | ● |
| NB 20 | 3/4" | 15 | 91 | 60 | 30 70 | VL10 | 0,40 | ● | ● | ● | ● |
| NB 25 | 1" | 20 | 105 | 72 | 36 80 | VL10 | 0,60 | ● | ● | ● | ● |
| NB 32 | 1.1/4" | 25 | 127 | 80 | 40 80 | VL11 | 0,90 | ● | ● | ● | ● |
| NB 40 | 1.1/2" | 32 | 142 | 90 | 45 90 | VL11 | 1,20 | ● | ● | ● | ● |
| NB 50 | 2" | 40 | 158 | 102 | 51 100 | VL11 | 1,70 | ● | ● | ● | ● |



Y-type Globe valve MDV-YGB

EU 97/23/EC NB CE 0035

EN 10204 3.1



screwed-in bonnet, non rising stem
 Y-type, full bore, PTFE disc
 f/f thread ISO 228-1G or ANSI B1.2.0.1 (NPT)
 nominal pressure NB 8 (1/4") - NB 25 (1") : PN 63
 nominal pressure NB 32 (1.1/4") - NB 50 (2") : PN 40
 PTFE seats and seals
 temperature -20°C upto 180°C

| NB | INCH PORT | H mm | L mm | W mm | Art. no. | Kg / pc | CF8 304 | | CF8M 316 | |
|-------|-----------|---------|---------|---------|----------|---------|------------|-----|-------------|-----|
| | | | | | | | ISO | NPT | ISO | NPT |
| NB 8 | 1/4" | 11 | 107 | 65 60 | VL15 | 0,30 | ● | ● | ● | ● |
| NB 10 | 3/8" | 13 | 107 | 65 60 | VL15 | 0,20 | ● | ● | ● | ● |
| NB 15 | 1/2" | 15 | 107 | 65 60 | VL15 | 0,40 | ● | ● | ● | ● |
| NB 20 | 3/4" | 20 | 122 | 80 80 | VL15 | 0,50 | ● | ● | ● | ● |
| NB 25 | 1" | 25 | 142 | 90 90 | VL15 | 0,70 | ● | ● | ● | ● |
| NB 32 | 1.1/4" | 32 | 155 | 105 105 | VL16 | 0,90 | ● | ● | ● | ● |
| NB 40 | 1.1/2" | 38 | 175 | 120 120 | VL16 | 1,30 | ● | ● | ● | ● |
| NB 50 | 2" | 50 | 195 | 140 140 | VL16 | 1,60 | ● | ● | ● | ● |

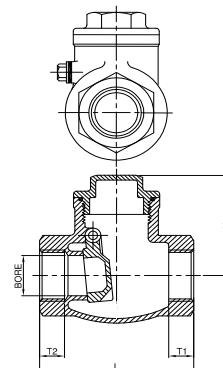
- = stock
- = ex works

Swing check valve MDV-SC



EU 97/23/EC NB CE 0035

EN 10204 3.1



screwed-in cap, swing type
full bore, st.st. disc
f/f thread ISO 228-1G or ANSI B1.2.0.1 (NPT)
nominal pressure NB 8 (1/4") - NB 25 (1") : PN 63
nominal pressure NB 32 (1.1/4") - NB 50 (2") : PN 40
PTFE seats and seals
temperature -20°C upto 180°C

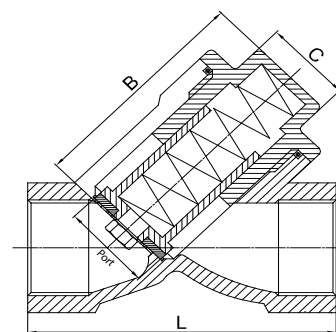
| NB | INCH | BORE mm | H mm | L mm | T1 mm | T2 mm | Art. no. | Kg / pc | CF8 304 | | CF8M 316 | |
|-------|--------|------------|---------|---------|----------|----------|----------|---------|------------|-----|-------------|-----|
| | | | | | | | | | ISO | NPT | ISO | NPT |
| NB 8 | 1/4" | 11 | 42 | 65 | 12 | | VC10 | 0,35 | ● | ● | ● | ● |
| NB 10 | 3/8" | 13 | 42 | 65 | 12 | | VC10 | 0,35 | ● | ● | ● | ● |
| NB 15 | 1/2" | 15 | 42 | 65 | 13 | | VC10 | 0,33 | ● | ● | ● | ● |
| NB 20 | 3/4" | 20 | 51 | 80 | 15 | | VC10 | 0,42 | ● | ● | ● | ● |
| NB 25 | 1" | 25 | 60 | 90 | 18 | | VC10 | 0,70 | ● | ● | ● | ● |
| NB 32 | 1.1/4" | 32 | 66 | 105 | 19 | | VC11 | 1,00 | ● | ● | ● | ● |
| NB 40 | 1.1/2" | 40 | 75 | 120 | 20 | | VC11 | 1,50 | ● | ● | ● | ● |
| NB 50 | 2" | 50 | 80 | 140 | 22 | | VC11 | 2,10 | ● | ● | ● | ● |

Piston check valve MDV-YSC



EU 97/23/EC NB CE 0035

EN 10204 3.1



screwed-in cap, piston type
full bore, PTFE disc, st.st. spring
f/f thread ISO 228-1G or ANSI B1.2.0.1 (NPT)
nominal pressure NB 8 (1/4") - NB 25 (1") : PN 63
nominal pressure NB 32 (1.1/4") - NB 50 (2") : PN 40
PTFE seats and seals
temperature -20°C upto 180°C

| NB | INCH | PORT mm | L mm | B mm | C mm | Art. no. | Kg / pc | CF8 304 | | CF8M 316 | |
|-------|--------|------------|---------|---------|---------|----------|---------|------------|-----|-------------|-----|
| | | | | | | | | ISO | NPT | ISO | NPT |
| NB 8 | 1/4" | 11 | 65 | 46 | 19 | VC15 | 0,30 | ● | ● | ● | ● |
| NB 10 | 3/8" | 13 | 65 | 46 | 19 | VC15 | 0,20 | ● | ● | ● | ● |
| NB 15 | 1/2" | 15 | 65 | 46 | 19 | VC15 | 0,30 | ● | ● | ● | ● |
| NB 20 | 3/4" | 20 | 80 | 58 | 23 | VC15 | 0,40 | ● | ● | ● | ● |
| NB 25 | 1" | 25 | 90 | 69 | 27 | VC15 | 0,80 | ● | ● | ● | ● |
| NB 32 | 1.1/4" | 32 | 105 | 75 | 32 | VC16 | 1,00 | ● | ● | ● | ● |
| NB 40 | 1.1/2" | 38 | 120 | 85 | 41 | VC16 | 1,50 | ● | ● | ● | ● |
| NB 50 | 2" | 50 | 140 | 98 | 50 | VC16 | 2,20 | ● | ● | ● | ● |

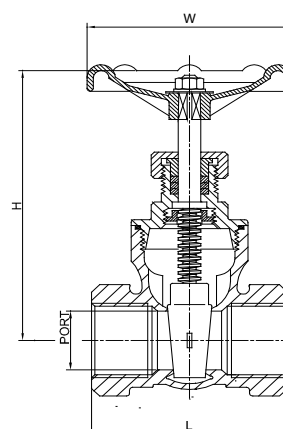
- = stock
- = ex works



Gate valve MDV-GT

EU 97/23/EC NB CE 0035

EN 10204 3.1



screwed-in bonnet, non rising stem
 full bore, solid wedge disc
 f/f thread ISO 228-1G or ANSI B1.2.0.1 (NPT)
 nominal pressure NB 8 (1/4") - NB 25 (1") : PN 63
 nominal pressure NB 32 (1.1/4") - NB 50 (2") : PN 40
 PTFE seats and seals
 temperature -20°C upto 180°C

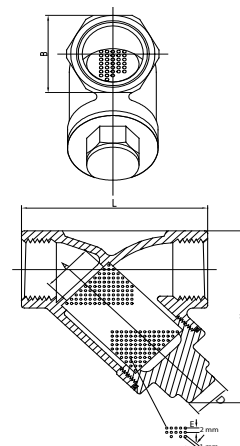
| NB | INCH PORT | H(open) mm | L mm | L/2 mm | W mm | Art. no. | Kg / pc | CF8 304 | | CF8M 316 | | |
|-------|-----------|---------------|---------|-----------|---------|----------|---------|------------|-----|-------------|-----|---|
| | | | | | | | | ISO | NPT | ISO | NPT | |
| NB 8 | 1/4" | 11 | 87,0 | 50,0 | 25,0 | 70 | VG10 | 0,33 | ● | ● | ● | ● |
| NB 10 | 3/8" | 12 | 92,0 | 55,0 | 27,5 | 70 | VG10 | 0,38 | ● | ● | ● | ● |
| NB 15 | 1/2" | 15 | 92,0 | 55,0 | 27,5 | 70 | VG10 | 0,38 | ● | ● | ● | ● |
| NB 20 | 3/4" | 20 | 97,0 | 60,5 | 30,0 | 70 | VG10 | 0,50 | ● | ● | ● | ● |
| NB 25 | 1" | 25 | 108,5 | 65,5 | 32,5 | 80 | VG10 | 0,70 | ● | ● | ● | ● |
| NB 32 | 1.1/4" | 32 | 123,5 | 76,5 | 37,5 | 80 | VG11 | 1,05 | ● | ● | ● | ● |
| NB 40 | 1.1/2" | 40 | 146,0 | 85,5 | 42,5 | 90 | VG11 | 1,40 | ● | ● | ● | ● |
| NB 50 | 2" | 50 | 162,0 | 95,5 | 47,5 | 100 | VG11 | 2,05 | ● | ● | ● | ● |



Strainer MDV-YS

EU 97/23/EC NB CE 0035

EN 10204 3.1



screwed-in cap
 Y-type, full bore, st.st. screen
 f/f thread ISO 228-1G or ANSI B1.2.0.1 (NPT)
 nominal pressure NB 8 (1/4") - NB 25 (1") : PN 63
 nominal pressure NB 32 (1.1/4") - NB 50 (2") : PN 40
 PTFE seats and seals
 temperature -20°C upto 180°C

| NB | INCH PORT | L mm | B mm | C mm | Art. no. | Kg / pc | CF8 304 | | CF8M 316 | | |
|-------|-----------|---------|---------|---------|----------|---------|------------|-----|-------------|-----|---|
| | | | | | | | ISO | NPT | ISO | NPT | |
| NB 8 | 1/4" | 11 | 65 | 46 | 19 | VC15 | 0,30 | ● | ● | ● | ● |
| NB 10 | 3/8" | 13 | 65 | 46 | 19 | VC15 | 0,20 | ● | ● | ● | ● |
| NB 15 | 1/2" | 15 | 65 | 46 | 19 | VC15 | 0,30 | ● | ● | ● | ● |
| NB 20 | 3/4" | 20 | 80 | 58 | 23 | VC15 | 0,40 | ● | ● | ● | ● |
| NB 25 | 1" | 25 | 90 | 69 | 27 | VC15 | 0,80 | ● | ● | ● | ● |
| NB 32 | 1.1/4" | 32 | 105 | 75 | 32 | VC16 | 1,00 | ● | ● | ● | ● |
| NB 40 | 1.1/2" | 38 | 120 | 85 | 41 | VC16 | 1,50 | ● | ● | ● | ● |
| NB 50 | 2" | 50 | 140 | 98 | 50 | VC16 | 2,20 | ● | ● | ● | ● |

- = stock
- = ex works

Double acting Pneumatic GD actuator



Mounting flange acc. DIN/ISO 5211 DIN 3337
 F-03 - F04 - F05 - F07 - F10
 Namur connections for accessories
 Rotation angle 90°
 Torque: directly proportional to the air supply
 The code numbers after the GD letters, always
 correspondent to the breakaway torque in Nm
 by 5.6 bar air supply

| type | ISO 5211 | length mm | height mm | total height mm | wide mm | Kg / pc | | |
|--------|-----------|--------------|--------------|-----------------------|------------|---------|--|---|
| GD 8 | F03 | 70,0 | 42,7 | 57,7 | 43,2 | 0,29 | | ● |
| GD 15 | F03 | 159,0 | 52,2 | 72,2 | 52,2 | 0,70 | | ● |
| GD 15 | F04 | 159,0 | 45,2 | 72,2 | 52,2 | 0,70 | | ● |
| GD 30 | F03 / F05 | 174,0 | 59,2 | 79,2 | 59,2 | 0,93 | | ● |
| GD 30 | F04 | 174,0 | 59,2 | 79,2 | 59,2 | 0,93 | | ● |
| GD 60 | F04 | 198,0 | 70,4 | 90,4 | 70,4 | 1,50 | | ● |
| GD 60 | F05 / F07 | 198,0 | 70,4 | 90,4 | 70,4 | 1,50 | | ● |
| GD 106 | F05 / F07 | 237,1 | 83,3 | 103,3 | 83,3 | 2,30 | | ● |
| GD 180 | F07 / F10 | 289,9 | 107,5 | 137,5 | 107,5 | 4,30 | | ● |
| GD 240 | F07 / F10 | 313,6 | 111,1 | 141,1 | 111,1 | 5,10 | | ● |
| GD 360 | F07 / F10 | 339,3 | 118,0 | 148,0 | 118,0 | 6,20 | | ● |
| GD 480 | F10 / F12 | 387,7 | 134,9 | 164,9 | 134,9 | 9,00 | | ● |

Spring return Pneumatic GS actuator



Mounting flange according DIN/ISO 5211 DIN 3337
 F-03 - F04 - F05 - F07 - F10 - F12
 Rotation angle 90°, Namur connections for accessories
 Torque: the return torque depends on the spring action
 only not withstanding the air supply.
 The code numbers after the GS letters, always
 correspondent to the breakaway torque in Nm at
 5.6 bar air supply

| type | ISO 5211 | length mm | height mm | total height mm | wide mm | Kg / pc | | |
|--------|-----------|--------------|--------------|-----------------------|------------|---------|--|---|
| GS 15 | F03 / F05 | 233,3 | 59,2 | 79,2 | 59,2 | 1,20 | | ● |
| GS 15 | F04 | 233,3 | 59,2 | 79,2 | 59,2 | 1,20 | | ● |
| GS 30 | F04 | 259,0 | 70,4 | 90,4 | 70,4 | 1,80 | | ● |
| GS 30 | F05 / F07 | 259,0 | 70,4 | 90,4 | 70,4 | 1,80 | | ● |
| GS 53 | F05 / F07 | 304,5 | 83,3 | 103,3 | 83,3 | 2,85 | | ● |
| GS 90 | F07 / F10 | 393,7 | 107,5 | 137,5 | 107,5 | 5,60 | | ● |
| GS 120 | F07 / F10 | 409,6 | 111,1 | 141,1 | 111,1 | 6,50 | | ● |
| GS 180 | F07 / F10 | 474,0 | 118 | 148,0 | 118 | 8,50 | | ● |
| GS 240 | F10 / F12 | 520,5 | 134,9 | 164,9 | 134,9 | 11,40 | | ● |
| GS 360 | F10 / F12 | 613,0 | 148 | 178,0 | 148 | 16,40 | | ● |
| GS 480 | F12 | 648,2 | 168 | 198,0 | 168 | 22,20 | | ● |

- = stock
- = ex works