

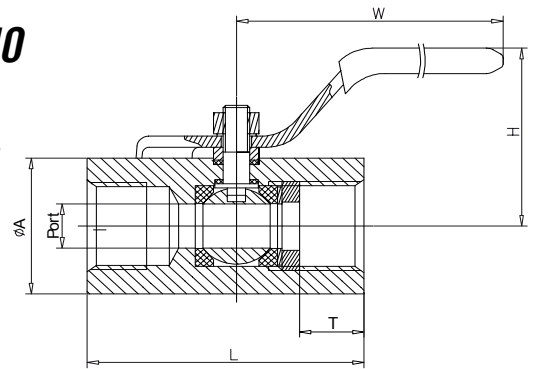


Kulventil MDV-003HO

Ball valve MDV-003

EU 97/23/EC NB CE 0035

EN 10204 3.1



1 piece bar stock
 reduced bore
 f/f thread ISO 228-1G or ANSI B1.2.0.1 (NPT)
 nominal pressure NB 8 (1/4") - NB 25 (1") : PN 63
 nominal pressure NB 32 (1.1/4") - NB 50 (2") : PN 40
 PTFE seats and seals
 temperature -20°C upto 180°C

NB	INCH PORT	L mm	H mm	W mm	T mm	A mm	Art. no.	Kg / pc	CF8 304		CF8M 316		
									ISO	NPT	ISO	NPT	
NB 8	1/4"	5,0	48	30	76	13	21	VB10	0,33	●	○	●	●
NB 10	3/8"	7,0	52	36	90	15	28	VB10	0,33	●	○	●	●
NB 15	1/2"	10,0	60	37	102	16	30	VB10	0,33	●	○	●	●
NB 20	3/4"	12,5	67	40	105	18	36	VB10	0,43	●	○	●	●
NB 25	1"	17,0	73	45	105	18	42	VB10	0,63	●	○	●	●
NB 32	1.1/4"	22,0	90	65	150	20	53	VB10	1,04	●	○	●	○
NB 40	1.1/2"	25,0	96	65	155	20	62	VB10	1,64	●	○	●	○
NB 50	2"	32,0	112	72	160	24	73	VB10	2,24	●	○	●	○

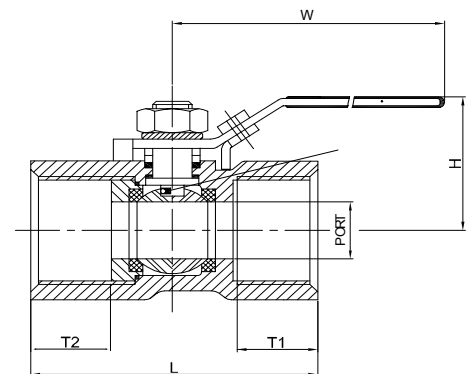


Kulventil MDV-206L

Ball valve MDV-003PL

EU 97/23/EC NB CE 0035

EN 10204 3.1



1 piece
 reduced bore
 f/f thread ISO 228-1G or ANSI B1.2.0.1 (NPT)
 nominal pressure NB 8 (1/4") - NB 25 (1") : PN 63
 nominal pressure NB 32 (1.1/4") - NB 50 (2") : PN 40
 PTFE seats and seals
 temperature -20°C upto 180°C

NB	INCH PORT	L mm	H mm	W mm	T1 mm	T2 mm	Art. no.	Kg / pc	CF8 304		CF8M 316		
									ISO	NPT	ISO	NPT	
NB 8	1/4"	5	39,0	35,0	60	11,4	11,4	VB15	0,07	●	○	●	○
NB 10	3/8"	7	44,0	37,0	70	11,4	11,4	VB15	0,10	●	○	●	○
NB 15	1/2"	9	56,5	43,5	85	15,5	15,5	VB15	0,16	●	○	●	○
NB 20	3/4"	12	58,0	47,0	85	16,5	16,5	VB15	0,25	●	○	●	○
NB 25	1"	15	71,0	50,0	108	19,1	19,1	VB15	0,43	●	○	●	○
NB 32	1.1/4"	20	78,0	57,0	108	21,4	21,4	VB16	0,70	●	○	●	○
NB 40	1.1/2"	25	83,0	69,0	123	21,5	21,5	VB16	0,83	●	○	●	○
NB 50	2"	32	100,0	74,5	123	26,0	26,0	VB16	1,50	●	○	●	○

● = lager
 ○ = ex works

● = stock
 ○ = ex works

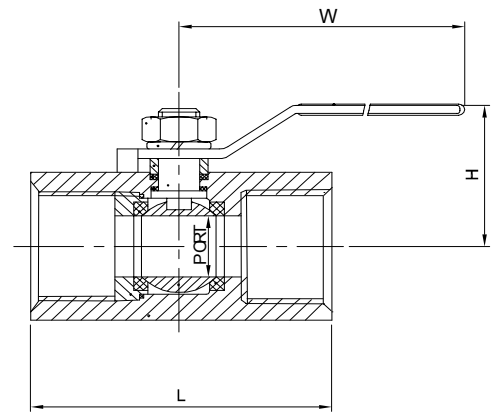


Kulventil MDV-003HP

Ball valve MDV-003HP

EU 97/23/EC NB CE 0035

EN 10204 3.1



1 piece OUTSIDE POLISHED
reduced bore
f/f thread ISO 228-1G or ANSI B1.2.0.1 (NPT)
nominal pressure NB 8 (1/4") - NB 25 (1") : PN 63
PTFE seats and seals
temperature -20°C upto 180°C

NB	INCH PORT	L mm	H mm	W mm	Art. no.	Kg / pc	CF8 304		CF8M 316	
							ISO	NPT	ISO	NPT
NB 8	1/4"	5,0	41	30	VB20	0,33	●	○	●	○
NB 10	3/8"	7,0	47	30	VB20	0,33	○	○	●	○
NB 15	1/2"	9,0	58	54	VB20	0,33	○	○	●	○
NB 20	3/4"	12,5	65	66	VB20	0,43	○	○	●	○
NB 25	1"	15,0	77	68	VB20	0,63	○	○	●	○

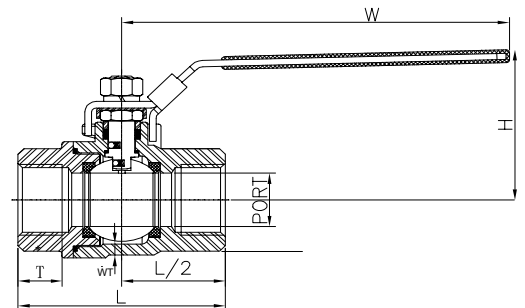


Kulventil MDV-206L

Ball valve MDV-206L

EU 97/23/EC NB CE 0035

EN 10204 3.1



2 piece full bore
face to face length M3
f/f thread ISO 228-1G or ANSI B1.2.0.1 (NPT)
nominal pressure NB 8 (1/4") - NB 50 (2") : PN 63
nominal pressure NB 65 (2.1/2") - NB 80 (3") : PN 40
PTFE seats and seals
temperature -20°C upto 180°C

NB	INCH PORT	L mm	H mm	W mm	T mm	Art. no.	Kg / pc	CF8 304		CF8M 316	
								ISO	NPT	ISO	NPT
NB 8	1/4"	11,2	50	48	11,0	VB25	0,23	●	○	●	●
NB 10	3/8"	12,5	60	54	11,5	VB25	0,23	●	○	●	●
NB 15	1/2"	15,0	75	62	15,0	VB25	0,38	●	○	●	●
NB 20	3/4"	20,0	80	66	16,5	VB25	0,52	●	○	●	●
NB 25	1"	25,0	90	70	19,2	VB25	0,92	●	○	●	●
NB 32	1.1/4"	32,0	110	76	21,5	VB25	1,32	●	○	●	○
NB 40	1.1/2"	38,0	120	89	21,5	VB25	1,90	●	○	●	○
NB 50	2"	50,0	140	97	25,7	VB25	3,12	●	○	●	○
NB 65	2.1/2"	64,0	185	125	30,2	VB25	6,50	○	○	●	○
NB 80	3"	76,0	205	140	33,5	VB25	9,30	○	○	●	○

● = lager
○ = ex works

● = stock
○ = ex works

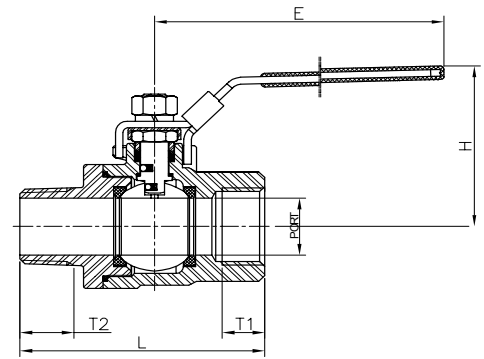


Kulventil MDV-211L

Ball valve MDV-211L

EU 97/23/EC NB CE 0035

EN 10204 3.1



2 piece full bore
 f- thread ISO 228-1G or ANSI B1.2.0.1 (NPT)
 m-thread ISO 7-1 R or ANSI B1.2.0.1 (NPT)
 nominal pressure NB 8 (1/4") - NB 50 (2") : PN 63
 PTFE seats and seals
 temperature -20°C upto 180°C

NB	INCH PORT	L	H	W	T1	T2	Art. no.	Kg / pc	CF8 304		CF8M 316	
									ISO	NPT	ISO	NPT
NB 8	1/4"	7	70	48	11.0	17	VB30	0.23	●	○	●	○
NB 10	3/8"	10	75	54	11.5	20	VB30	0.23	○	○	●	○
NB 15	1/2"	15	90	62	15.0	23	VB30	0.38	○	○	●	○
NB 20	3/4"	20	95	66	16.5	25	VB30	0.52	○	○	●	○
NB 25	1"	25	110	70	19.2	29	VB30	0.92	○	○	●	○
NB 32	1.1/4"	32	125	76	21.5	32	VB30	1.32	○	○	●	○
NB 40	1.1/2"	40	140	89	21.5	32	VB30	1.90	○	○	●	○
NB 50	2"	50	155	97	25.7	35	VB30	3.12	○	○	●	○

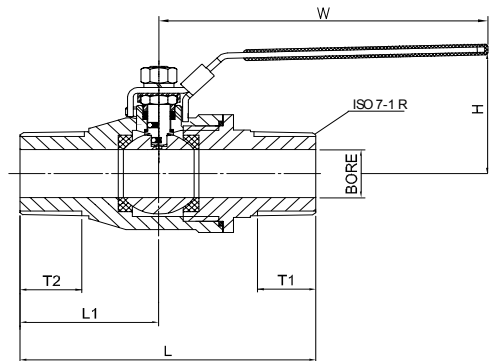


Kulventil MDV-212L

Ball valve MDV-212L

EU 97/23/EC NB CE 0035

EN 10204 3.1



2 piece
 full bore
 m/m thread ISO 7-1 R or ANSI B1.2.0.1 (NPT)
 nominal pressure NB 8 (1/4") - NB 50 (2") : PN 63
 PTFE seats and seals
 temperature -20°C upto 180°C

NB	INCH PORT	L	H	W	T1	T2	Art. no.	Kg / pc	CF8 304		CF8M 316	
									ISO	NPT	ISO	NPT
NB 8	1/4"	7	70	50	13	13	VB35	0.23	○	○	●	○
NB 10	3/8"	10	75	54	14	14	VB35	0.23	○	○	●	○
NB 15	1/2"	15	90	62	18	18	VB35	0.38	○	○	●	○
NB 20	3/4"	20	95	66	20	20	VB35	0.52	○	○	●	○
NB 25	1"	25	110	70	23	23	VB35	0.92	○	○	●	○
NB 32	1.1/4"	32	125	76	26	26	VB35	1.32	○	○	●	○
NB 40	1.1/2"	38	140	89	26	26	VB35	1.90	○	○	●	○
NB 50	2"	50	155	97	31	31	VB35	3.12	○	○	●	○

● = lager
 ○ = ex works

● = stock
 ○ = ex works

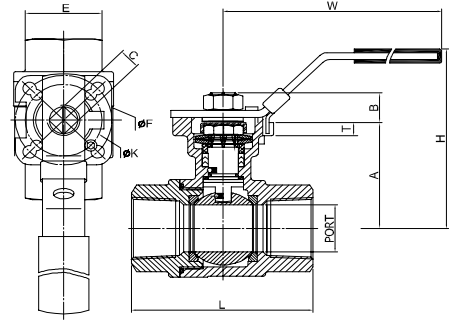


Kulventil MDV-368

Ball valve MDV-368

EU 97/23/EC NB CE 0035

EN 10204 3.1



2 piece with mounting pad ISO5211 "direct mount"
 full bore, face to face M3
 f/f thread ISO 228-1G or ANSI B1.2.0.1 (NPT)
 nominal pressure NB 8 (1/4") - NB 50 (2") : PN 63
 nominal pressure NB 65 (2.1/2") - NB 80 (3") : PN 40
 PTFE seats and seals
 temperature -20°C upto 180°C

NB	INCH PORT	L mm	W mm	H mm	A mm	B mm	T mm	C mm	F mm	K mm	ISO 5211	Art. no.	Kg / pc	CF8 304		CF8M 316		
														ISO	NPT	ISO	NPT	
NB 8	1/4"	7	50	120	64	37	10	6	9	42	36	F04 F05	VB40	0,40	●	●	●	●
NB 10	3/8"	10	60	120	64	37	10	6	9	42	36	F04 F05	VB40	0,45	●	●	●	●
NB 15	1/2"	15	75	120	64	37	10	6	9	42	36	F04 F05	VB40	0,56	●	●	●	●
NB 20	3/4"	20	80	120	70	42	10	6	9	42	36	F04 F05	VB40	0,75	●	●	●	●
NB 25	1"	25	90	165	95	53	15	8	11	50	42	F05 F04	VB40	1,08	●	●	●	●
NB 32	1.1/4"	32	110	165	98	59	15	8	11	50	42	F05 F04	VB40	1,75	●	●	●	●
NB 40	1.1/2"	40	120	190	100	68	21	10	14	70	50	F05 F07	VB40	2,60	●	●	●	●
NB 50	2"	50	140	190	108	79	21	10	14	70	50	F05 F07	VB40	3,20	●	●	●	●
NB 65	2.1/2"	65	185	250	145	98	24	12	17	102	70	F07 F05	VB41	7,00	●	○	●	○
NB 80	3"	76	205	250	160	106	24	12	17	102	70	F07 F05	VB41	11,00	●	○	●	○

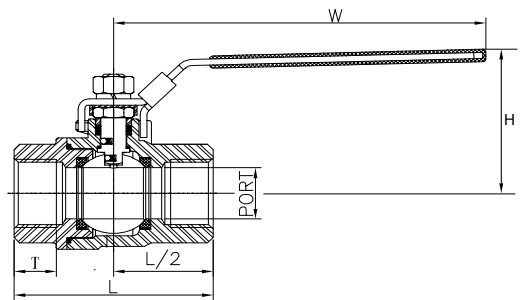


Kulventil MDV-209L

Ball valve MDV-209L

EU 97/23/EC NB CE 0035

EN 10204 3.1



2 piece full bore
 face to face M3
 f/f thread ISO 228-1G or ANSI B1.2.0.1 (NPT)
 nominal pressure NB 8 (1/4") - NB 25 (1") : PN 140
 nominal pressure NB 32 (1.1/4") - NB 50 (2") : PN 100
 RTFE seats and CTFE seals
 temperature -20°C upto 180°C

NB	INCH PORT	L mm	H mm	W mm	T mm	Art. no.	Kg / pc	CF8 304		CF8M 316		
								ISO	NPT	ISO	NPT	
NB 8	1/4"	7	50	48	100	11,0	VB45	0,30	●	●	●	●
NB 10	3/8"	10	60	54	100	11,5	VB45	0,30	●	●	●	●
NB 15	1/2"	15	75	62	130	15,0	VB45	0,50	●	●	●	●
NB 20	3/4"	20	90	66	130	16,5	VB45	0,60	●	●	●	●
NB 25	1"	25	90	70	165	19,2	VB45	1,00	●	●	●	●
NB 32	1.1/4"	32	110	76	165	21,5	VB46	1,50	●	●	●	●
NB 40	1.1/2"	40	120	89	190	21,5	VB46	2,30	●	●	●	●
NB 50	2"	50	140	97	190	25,7	VB46	3,70	●	●	●	●

● = lager
 ○ = ex works

● = stock
 ○ = ex works



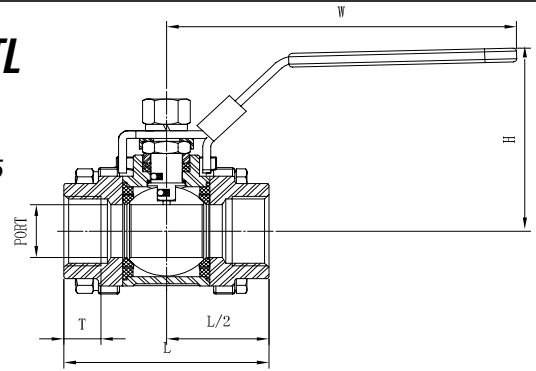
3 piece full bore
face to face M3
f/f thread ISO 228-1G or ANSI B1.20.1 (NPT)
nominal pressure NB 8 (1/4") - NB 50 (2") : PN 63
nominal pressure NB 65 (2.1/2") - NB 100 (4") : PN 40
RTFE seats and seals
temperature -20°C upto 180°C

Kulventil MDV-205TL

Ball valve MDV-205TL

EU 97/23/EC NB CE 0035

EN 10204 3.1



NB	INCH PORT	L mm	H mm	W mm	T mm	Art. no.	Kg / pc	CF8 304		CF8M 316	
								ISO	NPT	ISO	NPT
NB 8	1/4"	7	50	48	100	VB50	0,35	●	○	●	○
NB 10	3/8"	10	60	48	100	VB50	0,35	●	○	●	○
NB 15	1/2"	15	75	55	130	VB50	0,56	●	○	●	○
NB 20	3/4"	20	80	61	130	VB50	0,75	●	○	●	○
NB 25	1"	25	90	68	165	VB50	1,04	●	○	●	○
NB 32	1.1/4"	32	110	72	165	VB50	1,74	●	○	●	○
NB 40	1.1/2"	38	120	84	190	VB50	2,41	●	○	●	○
NB 50	2"	50	140	92	190	VB50	3,66	●	○	●	○
NB 65	2.1/2"	65	185	115	250	VB51	7,10	○	○	●	○
NB 80	3"	75	205	138	250	VB51	10,50	○	○	●	○
NB 100	4"	100	240	215	290	VB51	19,50	○	○	●	○



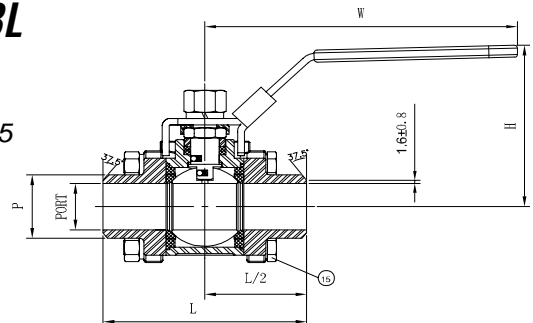
3 piece full bore
face to face M3
BW ends according ANSI B16.25
nominal pressure NB 8 (1/4") - NB 50 (2") : PN 63
nominal pressure NB 65 (2.1/2") - NB 100 (4") : PN 40
RTFE seats and seals
temperature -20°C upto 180°C

Kulventil MD-205BL

Ball valve MDV-205BL

EU 97/23/EC NB CE 0035

EN 10204 3.1



NB	INCH PORT	P mm	L mm	H mm	W mm	Art. no.	Kg / pc	CF8 304		CF8M 316	
								ISO	NPT	ISO	NPT
NB 8	1/4"	7	13,5	70	48	100	VB55	0,35	●	○	●
NB 10	3/8"	10	17,2	70	48	100	VB55	0,35	●	○	●
NB 15	1/2"	15	21,3	75	56	130	VB55	0,56	●	○	●
NB 20	3/4"	20	26,9	90	61	130	VB55	0,75	●	○	●
NB 25	1"	25	33,7	100	68	165	VB55	1,04	●	○	●
NB 32	1.1/4"	32	42,4	110	72	165	VB55	1,74	●	○	●
NB 40	1.1/2"	40	48,3	125	84	190	VB55	2,41	●	○	●
NB 50	2"	50	60,3	150	92	190	VB55	3,66	●	○	●
NB 65	2.1/2"	65	76,1	190	115	250	VB56	7,10	○	○	●
NB 80	3"	76	88,9	220	138	250	VB56	10,50	○	○	●
NB 100	4"	100	114,3	270	215	290	VB56	19,50	○	○	●

● = lager
○ = ex works

● = stock
○ = ex works

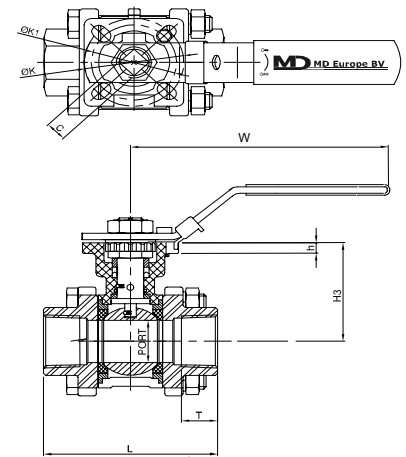


Kulventil MDV-358T

Ball valve MDV-358T

EU 97/23/EC NB CE 0035

EN 10204 3.1



3 piece with mounting pad ISO5211 direct mount
 full bore, face to face M3
 f/f thread ISO 228-1G or ANSI B1.20.1 (NPT)
 nominal pressure NB 8 (1/4") - NB 50 (2") : PN 63
 nominal pressure NB 65 (2.1/2") - NB 100 (4") : PN 40
 RTFE seats and seals
 temperature -20°C upto 180°C

NB	INCH PORT	L	W	H3	h	C	T	oK 1	oK 2	ISO 5211	Art. no.	Kg / pc	CF8 304		CF8M 316		
													mm	mm	mm	mm	mm
NB 8	1/4"	7	50	130	35,0	6	8	11,0	42	36	F04 F03	VB60	0,40	○	○	●	○
NB 10	3/8"	10	55	130	35,0	6	8	11,4	42	36	F04 F03	VB60	0,38	○	○	●	○
NB 15	1/2"	15	75	130	35,0	6	8	15,0	42	36	F04 F03	VB60	0,56	○	○	●	○
NB 20	3/4"	20	80	130	39,0	6	8	16,3	42	36	F04 F03	VB60	0,75	○	○	●	○
NB 25	1"	25	90	165	50,5	8	10	19,1	50	42	F05 F04	VB60	1,08	○	○	●	○
NB 32	1.1/4"	32	110	165	55,5	8	10	21,4	50	42	F05 F04	VB60	1,73	○	○	●	○
NB 40	1.1/2"	38	120	190	66,0	10	12	21,4	70	50	F07 F05	VB60	2,56	○	○	●	○
NB 50	2"	50	140	190	75,0	10	12	25,7	70	50	F07 F05	VB60	3,20	○	○	●	○
NB 65	2.1/2"	65	185	250	93,5	12	15	30,2	102	70	F10 F07	VB61	7,35	○	○	●	○
NB 80	3"	76	205	250	104,0	12	15	33,3	102	70	F10 F07	VB61	11,21	○	○	●	○
NB 100	4"	100	240	300	130,0	12	17	39,3	102	70	F10 F07	VB61	20,30	○	○	●	○

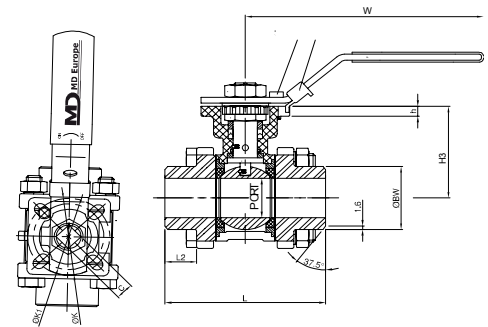


Kulventil MDV-358B

Ball valve MDV-358B

EU 97/23/EC NB CE 0035

EN 10204 3.1



3 piece with mounting pad ISO5211 direct mount
 full bore, face to face M3
 BW ends according ANSI B16.25
 nominal pressure NB 8 (1/4") - NB 50 (2") : PN 63
 nominal pressure NB 65 (2.1/2") - NB 100 (4") : PN 40
 RTFE seats and seals
 temperature -20°C upto 180°C

NB	INCH PORT	W	H3	h	L	L2	BW	C	oK	oK	ISO 5211	Art. no.	Kg / pc	CF8 304		CF8M 316		
														mm	mm	mm	mm	mm
NB 8	1/4"	7	130	35	6	70	10,5	14	8	42	36	F05 F04	VB65	0,40	○	○	●	○
NB 10	3/8"	10	130	35	6	75	10,5	17	8	42	36	F05 F04	VB65	0,38	○	○	●	○
NB 15	1/2"	15	130	35	6	75	12,0	21	8	42	36	F05 F04	VB65	0,56	○	○	●	○
NB 20	3/4"	20	130	39	6	90	15,1	27	8	42	36	F05 F04	VB65	0,75	○	○	●	○
NB 25	1"	25	165	51	8	100	16,3	34	10	50	42	F07 F05	VB65	1,08	○	○	●	○
NB 32	1.1/4"	32	165	56	8	110	20,0	42	10	50	42	F07 F05	VB65	1,73	○	○	●	○
NB 40	1.1/2"	38	190	66	10	125	21,9	48	12	70	50	F07 F05	VB65	2,56	○	○	●	○
NB 50	2"	50	190	75	10	150	22,3	60	12	70	50	F07 F05	VB65	3,20	○	○	●	○
NB 65	2.1/2"	65	250	94	12	190	25,7	76	15	102	70	F10 F07	VB66	7,35	○	○	●	○
NB 80	3"	76	250	105	12	220	28,8	89	15	102	70	F10 F07	VB66	11,21	○	○	●	○
NB 100	4"	100	300	131	12	270	40,1	114	17	102	70	F10 F07	VB66	20,30	○	○	●	○

● = lager
 ○ = ex works

● = stock
 ○ = ex works

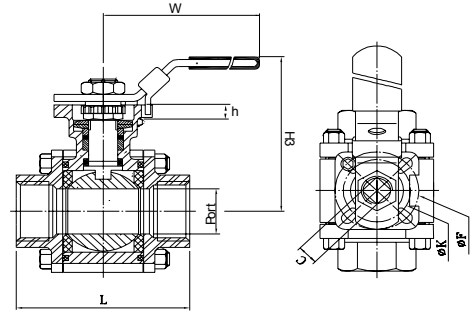


Kulventil MDV-355T FS

Ball valve MDV-355T FS

EU 97/23/EC NB CE 0035

EN 10204 3.1



3 piece with mounting pad ISO5211 direct mount
 full bore, face to face M3
 f/f thread ISO 228-1G or ANSI B1.2.0.1 (NPT)
 nominal pressure NB 8 (1/4") - NB 25 (1") : PN 140
 nominal pressure NB 32 (1.1/4") - NB 50 (2") : PN 100
 RTFE seats and CTFE seals
 temperature -20°C upto 180°C

FIRE SAFE API 607 CERTIFIED

NB	INCH PORT	L	W	H3	h	C	oK1	oK2	ISO 5211	Art. no.	Kg / pc	CF8 304		CF8M 316		
												mm	mm	mm	mm	mm
NB 8	1/4"	7	50	139	42,6	6	9	36	42	F03 F04	VB70	0,81	○	○	●	○
NB 10	3/8"	10	60	139	42,6	6	9	36	42	F03 F04	VB70	0,81	○	○	●	○
NB 15	1/2"	15	75	139	42,6	6	9	36	42	F03 F04	VB70	0,81	○	○	●	○
NB 20	3/4"	20	80	165	46,9	8	9	36	42	F03 F04	VB70	1,27	○	○	●	○
NB 25	1"	25	90	165	59,3	10	11	42	50	F04 F05	VB70	1,94	○	○	●	○
NB 32	1.1/4"	32	110	215	62,6	10	11	42	50	F04 F05	VB71	2,65	○	○	●	○
NB 40	1.1/2"	40	120	215	79,0	13	14	50	70	F05 F07	VB71	3,75	○	○	●	○
NB 50	2"	50	140	215	87,7	13	14	50	70	F05 F07	VB71	5,53	○	○	●	○

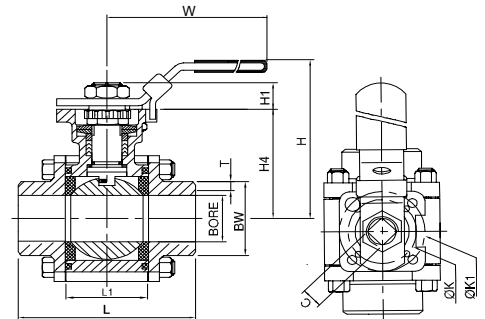


Kulventil MDV-355B FS

Ball valve MDV-355B FS

EU 97/23/EC NB CE 0035

EN 10204 3.1



3 piece with mounting pad ISO5211 direct mount
 full bore, face to face M3
 BW ends according ANSI B16.25
 nominal pressure NB 8 (1/4") - NB 25 (1") : PN 140
 nominal pressure NB 32 (1.1/4") - NB 50 (2") : PN 100
 CTFE seats and seals
 temperature -20°C upto 180°C

FIRE SAFE API 607 CERTIFIED

NB	INCH PORT	W	H	h	H3	L	L1	BW	T	C	oK 1	oK 2	ISO 5211	Art. no.	Kg / pc	CF8 304		CF8M 316		
																mm	mm	mm	mm	mm
NB 8	1/4"	7	139	77,0	6	42,6	70	25	13,7	2,24	9	36	42	F03 F04	VB75	0,81	○	○	●	○
NB 10	3/8"	10	139	77,0	6	42,6	70	25	17,2	2,31	9	36	42	F03 F04	VB75	0,81	○	○	●	○
NB 15	1/2"	15	139	77,0	6	42,6	75	25	21,3	2,77	9	36	42	F03 F04	VB75	0,81	○	○	●	○
NB 20	3/4"	20	165	82,0	8	46,9	90	31	26,7	2,87	9	36	42	F03 F04	VB75	1,27	○	○	●	○
NB 25	1"	25	165	98,5	10	59,3	100	41	33,4	3,38	11	42	50	F04 F05	VB75	1,94	○	○	●	○
NB 32	1.1/4"	32	215	102,0	10	62,6	110	48	42,0	3,56	11	42	50	F04 F05	VB76	2,65	○	○	●	○
NB 40	1.1/2"	40	215	128,0	13	79,0	125	56	48,3	3,68	14	50	72	F05 F07	VB76	3,75	○	○	●	○
NB 50	2"	50	215	137,0	13	87,7	150	71	60,3	3,91	14	50	72	F05 F07	VB76	5,53	○	○	●	○

● = lager
 ○ = ex works

● = stock
 ○ = ex works



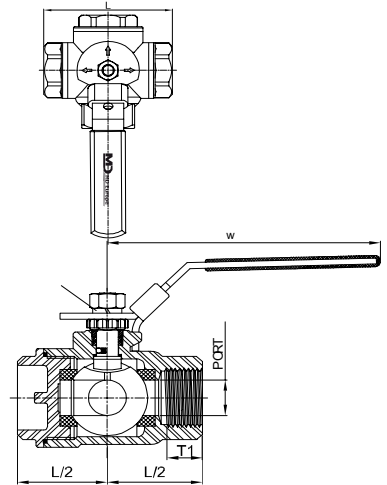
Kulventil MDK-302L

Ball valve MDK-302L

EU 97/23/EC NB CE 0035

EN 10204 3.1

4 piece, 3 way, L-bore, reduced bore
 f/f/f thread ISO 228-1G or ANSI B1.2.0.1 (NPT)
 nominal pressure NB 8 (1/4") - NB 25 (1") : PN 63
 nominal pressure NB 32 (1.1/4") - NB 50 (2") : PN 40
 RTFE seats and seals
 temperature -20°C upto 180°C



NB	INCH	BORE mm	W mm	L/2 mm	L mm	T mm	Art. no.	Kg / pc	CF8 304		CF8M 316	
									ISO	NPT	ISO	NPT
NB 8	1/4"	10	64	34,0	72	13,0	VD10	0,40	●	○	●	○
NB 10	3/8"	10	67	34,0	72	13,0	VD10	0,40	○	○	●	○
NB 15	1/2"	13	67	34,0	72	15,0	VD10	0,40	○	○	●	○
NB 20	3/4"	16	67	43,5	88	16,5	VD10	0,40	○	○	●	○
NB 25	1"	20	83	47,5	105	19,2	VD10	0,70	○	○	●	○
NB 32	1.1/4"	25	89	50,5	120	21,4	VD12	0,90	○	○	●	○
NB 40	1.1/2"	32	100	61,5	130	21,4	VD12	2,20	○	○	●	○
NB 50	2"	38	108	70,5	156	26,0	VD12	3,30	○	○	●	○



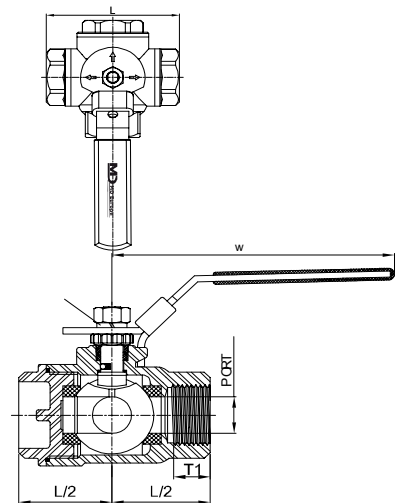
Kulventil MDK-302T

Ball valve MDK-302T

EU 97/23/EC NB CE 0035

EN 10204 3.1

4 piece, 3 way, T-bore, reduced bore
 f/f/f thread ISO 228-1G or ANSI B1.2.0.1 (NPT)
 nominal pressure NB 8 (1/4") - NB 25 (1") : PN 63
 nominal pressure NB 32 (1.1/4") - NB 50 (2") : PN 40
 RTFE seats and seals
 temperature -20°C upto 180°C



NB	INCH	BORE mm	W mm	L/2 mm	L mm	T mm	Art. no.	Kg / pc	CF8 304		CF8M 304	
									ISO	NPT	ISO	NPT
NB 8	1/4"	10	64	34	72,0	13,0	VD15	0,40	○	○	●	○
NB 10	3/8"	10	67	34	72,0	13,0	VD15	0,40	○	○	●	○
NB 15	1/2"	13	67	34	72,0	15,0	VD15	0,40	○	○	●	○
NB 20	3/4"	16	67	44	88,0	16,5	VD15	0,40	○	○	●	○
NB 25	1"	20	83	48	104,5	19,2	VD15	0,70	○	○	●	○
NB 32	1.1/4"	25	89	51	120,0	21,4	VD16	0,90	○	○	●	○
NB 40	1.1/2"	32	100	62	130,0	21,4	VD16	2,20	○	○	●	○
NB 50	2"	38	108	71	156,0	26,0	VD16	3,30	○	○	●	○

● = lager
 ○ = ex works

● = stock
 ○ = ex works

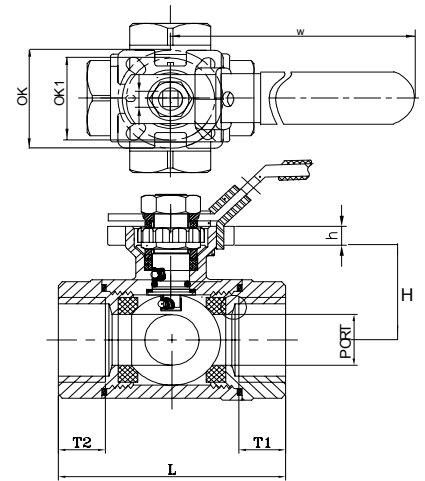


Kulventil MDK-318L

Ball valve MDK-318L

EU 97/23/EC NB CE 0035

EN 10204 3.1



4 piece, 3 way, L-bore, reduced bore
 f/f/f thread ISO 228-1G or ANSI B1.2.0.1 (NPT)
 nominal pressure NB 8 (1/4") - NB 25 (1") : PN 63
 nominal pressure NB 32 (1.1/4") - NB 50 (2") : PN 40
 PTFE seats and seals
 temperature -20°C upto 180°C

NB	INCH PORT	W mm	H mm	L mm	H mm	h mm	T1/2 mm	C mm	oK1 mm	oK2 mm	ISO 5211	Art. no.	Kg / pc	CF8 304		CF8M 316	
														ISO	NPT	ISO	NPT
NB 8	1/4"	115	30	75	100	4,75	15,0	9	42	36	F04 F03	VD20	0,50	●	○	●	○
NB 10	3/8"	115	30	75	100	4,75	15,0	9	42	36	F04 F03	VD20	0,50	○	○	●	○
NB 15	1/2"	115	35	75	130	5,00	15,0	9	42	36	F04 F03	VD20	0,65	○	○	●	○
NB 20	3/4"	115	40	85	130	7,00	20,0	9	42	36	F04 F03	VD20	1,00	○	○	●	○
NB 25	1"	135	45	102	165	7,00	20,0	11	50	42	F05 F04	VD20	1,10	○	○	●	○
NB 32	1.1/4"	185	50	120	165	7,00	23,5	11	50	42	F05 F04	VD21	1,80	○	○	●	○
NB 40	1.1/2"	185	70	120	190	7,00	23,5	14	70	50	F07 F05	VD21	2,75	○	○	●	○
NB 50	2"	200	80	150	190	7,00	25,0	14	70	50	F07 F05	VD21	3,50	○	○	●	○

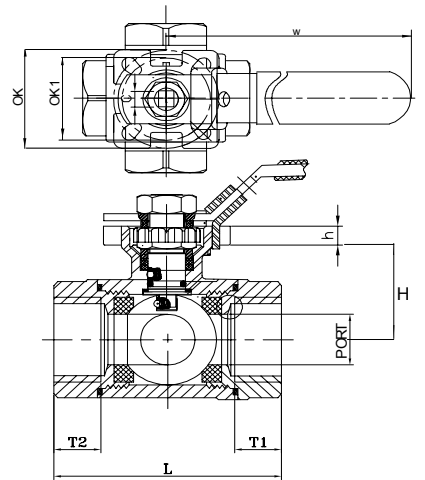


Kulventil MDK-318T

Ball valve MDK-318T

EU 97/23/EC NB CE 0035

EN 10204 3.1



4 piece, 3 way, T-bore, reduced bore
 f/f/f thread ISO 228-1G or ANSI B1.2.0.1 (NPT)
 nominal pressure NB 8 (1/4") - NB 25 (1") : PN 63
 nominal pressure NB 32 (1.1/4") - NB 50 (2") : PN 40
 PTFE seats and seals
 temperature -20°C upto 180°C

NB	INCH PORT	W mm	H mm	L mm	H mm	h mm	T1/2 mm	C mm	oK1 mm	oK2 mm	ISO 5211	Art. no.	Kg / pc	CF8 304		CF8M 316	
														ISO	NPT	ISO	NPT
NB 8	1/4"	115	30	75	100	4,75	15,0	9	42	36	F04 F03	VD25	0,50	○	○	●	○
NB 10	3/8"	115	30	75	100	4,75	15,0	9	42	36	F04 F03	VD25	0,50	○	○	●	○
NB 15	1/2"	115	35	75	130	5,00	15,0	9	42	36	F04 F03	VD25	0,65	○	○	●	○
NB 20	3/4"	115	40	85	130	7,00	20,0	9	42	36	F04 F03	VD25	1,00	○	○	●	○
NB 25	1"	135	45	102	165	7,00	20,0	11	50	42	F05 F04	VD25	1,10	○	○	●	○
NB 32	1.1/4"	185	50	120	165	7,00	23,5	11	50	42	F05 F04	VD26	1,80	○	○	●	○
NB 40	1.1/2"	185	70	120	190	7,00	23,5	14	70	50	F07 F05	VD26	2,75	○	○	●	○
NB 50	2"	200	80	150	190	7,00	25,0	14	70	50	F07 F05	VD26	3,50	○	○	●	○

● = lager
 ○ = ex works

● = stock
 ○ = ex works

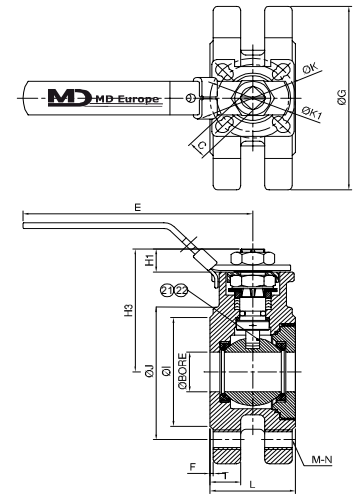


Kulventil MDF-56

Ball valve MDF-56

EU 97/23/EC NB CE 0035

EN 10204 3.1



1 piece full bore
flanges according to DIN/EN
nominal pressure NB 15 (1/2") - NB50 (2") : PN 40
nominal pressure NB 65 (2.1/2") - NB 100 (4") : PN 16
PTFE seats and seals
temperature -20°C upto 180°C

NB	INCH	BORE	I	J	G	E	F	H1	H3	K	M-N	L	C	T	K1	Art. no.	Kg / pc	4308	4408
		mm	mm	mm	mm	mm	mm	mm	mm	mm		mm	mm	mm	mm				
NB 15	1/2"	15	45	65	95	135	2	10	65,0	-	M12-4	40,8	9	16	42	VW15		●	●
NB 20	3/4"	20	58	75	105	135	2	10	67,5	-	M12-4	44,0	9	16	42	VW15		●	●
NB 25	1"	25	68	85	115	142	2	12	74,5	50	M12-4	50,0	11	18	42	VW15		●	●
NB 32	1.1/4"	32	78	100	140	142	2	12	87,0	50	M16-4	60,0	11	18	42	VW15		●	●
NB 40	1.1/2"	38	88	110	150	200	2	16	103,0	70	M16-4	65,0	14	18	50	VW15		●	●
NB 50	2"	50	102	125	165	200	2	16	110,6	70	M16-4	80,0	14	20	50	VW15		●	●
NB 65	2.1/2"	63	122	145	185	185	2	19	131,8	102	M16-4	110,0	17	18	70	VW16		●	●
NB 80	3"	77	138	160	200	200	2	24	153,3	125	M16-8	120,0	22	20	102	VW16		●	●
NB 100	4"	96	158	180	220	220	2	24	168,3	125	M16-8	150,0	22	20	102	VW16		●	●

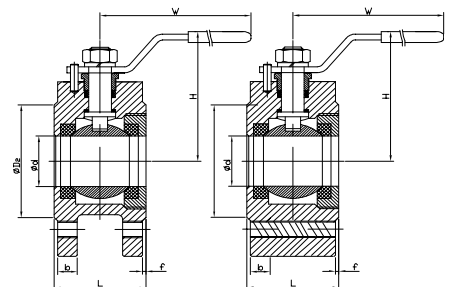


Kulventil MDF-57

Ball valve MDF-57

EU 97/23/EC NB CE 0035

EN 10204 3.1



1 piece full bore
flanges according to DIN/EN
nominal pressure NB 15 (1/2") - NB50 (2") : PN40
nominal pressure NB65 (2.1/2") - NB100 (4") : PN16
PTFE seats and seals
temperature -20°C upto 180°C

NB	INCH	d	L	D	D1	D2	H	W	B	n-M	F	Art. no.	Kg / pc	4308	4408
		mm	mm	mm	mm	mm	mm	mm	mm	mm	mm				
NB 15	1/2"	15	32	95	65	45	65	110	16	4-M12	2	VW10		●	●
NB 20	3/4"	20	38	105	75	54	73	125	16	4-M12	2	VW10		●	●
NB 25	1"	25	44	115	85	65	84	135	18	4-M12	2	VW10		●	●
NB 32	1.1/4"	32	54	140	100	78	91	150	18	4-M16	2	VW10		●	●
NB 40	1.1/2"	40	62	150	110	82	100	150	18	4-M16	2	VW10		●	●
NB 50	2"	50	72	165	125	97	108	180	18	4-M16	2	VW10		●	●
NB 65	2.1/2"	65	95	185	145	122	136	240	18	4-M16	2	VW10		●	●
NB 80	3"	80	120	200	160	138	160	300	20	8-M16	2	VW11		●	●
NB 100	4"	100	140	220	180	158	175	360	20	8-M16	2	VW11		●	●

● = lager
○ = ex works

● = stock
○ = ex works

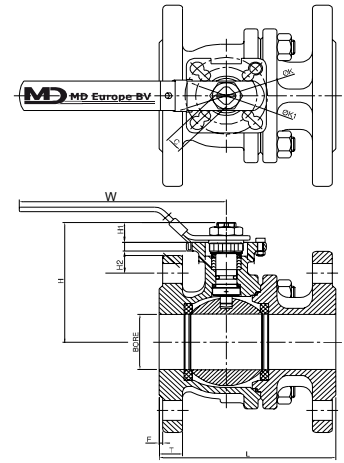


Kulventil MDF-55E

Ball valve MDF-55E

EU 97/23/EC NB CE 0035

EN 10204 3.1



2 piece, full bore
 flanges according to EN 1092-1
 NB 15-NB 100 f. to f. length acc. to DIN 3201 F4 EN 558-1 tabel 1 row 14
 NB 125-NB 150 f. to f. length acc. to DIN 3201 F5 EN 558-1 tabel 1 row 15
 nominal pressure NB 15 (1/2")-NB 50 (2") : PN 40
 nominal pressure NB 65 (2.1/2")-NB 150 (6") : PN 16
 with mounting pad according ISO 5211
 PTFE seats and seals temperature -20°C upto 180°C

NB	INCH	BORE	W	H1	H2	H	L	T	F	C	oK1	oK2	ISO 5211	Art. no.	Kg / pc	4308	4408
		mm	mm	mm	mm	mm	mm	mm	mm	mm	mm	mm					
NB 15	1/2"	15	142	12	7,5	64,5	115	16	2	11	42	50	F04 F05	VF30	2,97	●	●
NB 20	3/4"	20	142	12	7,5	69,5	120	18	2	11	42	50	F04 F05	VF30	3,41	●	●
NB 25	1"	25	142	12	7,5	74,5	125	18	2	11	42	50	F04 F05	VF30	4,73	●	●
NB 32	1.1/4"	32	142	12	7,5	87,0	130	18	2	11	42	50	F04 F05	VF30	6,82	●	●
NB 40	1.1/2"	40	200	16	10,0	103,0	140	18	2	14	50	70	F05 F07	VF30	8,91	●	●
NB 50	2"	50	200	16	10,0	110,5	150	20	2	14	50	70	F05 F07	VF30	11,00	●	●
NB 65	2.1/2"	76	210	19	12,0	112,8	170	20	2	17	70	102	F07 F10	VF31	15,40	●	●
NB 80	3"	80	283	24	12,0	153,3	180	20	2	22	102	125	F10 F12	VF31	20,35	●	●
NB 100	4"	100	283	24	12,0	168,3	190	20	2	22	102	125	F10 F12	VF31	29,26	●	●
NB 125	5"	125	640	30	14,0	224,0	325	22	2	30	125	140	F12 F14	VF32	56,40	●	●
NB 150	6"	150	640	30	14,0	243,0	350	22	2	30	125	140	F12 F14	VF32	78,43	●	●

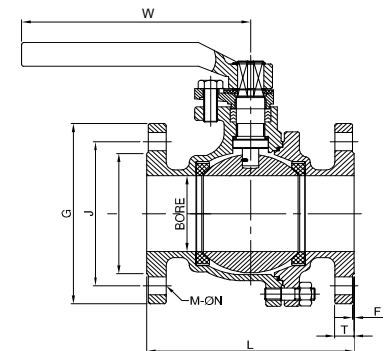


Kulventil MDF-59E

Ball valve MDF-59E

EU 97/23/EC NB CE 0035

EN 10204 3.1



2 piece, full bore
 flanges according to EN 1092-1
 NB 15-NB 100 f. to f. length acc. to DIN 3201 F4 EN 558-1 tabel 1 row 14
 NB 125-NB 150 f. to f. length acc. to DIN 3201 F5 EN 558-1 tabel 1 row 15
 nominal pressure NB 15 (1/2")-NB 50 (2") : PN 40
 nominal pressure NB 65 (2.1/2")-NB 150 (6") : PN 16
 RTFE seats and seals temperature -20°C upto 180°C

NB	INCH	BORE	L	E	G	J	I	T	F	M	N	Art. no.	Kg / pc	4308	4408
		mm	mm	mm	mm	mm	mm	mm	mm	mm	mm				
NB 15	1/2"	15	115	130	95	65	45	16	2	4	14	VF20	2,70	●	●
NB 20	3/4"	20	120	130	105	75	58	16	2	4	14	VF20	3,10	●	●
NB 25	1"	25	125	162	115	85	68	18	2	4	14	VF20	4,30	●	●
NB 32	1.1/4"	32	130	162	140	100	78	18	2	4	14	VF20	6,20	●	●
NB 40	1.1/2"	40	140	197	150	110	88	18	2	4	18	VF20	8,10	●	●
NB 50	2"	50	150	197	165	125	102	20	2	4	18	VF20	10,00	●	●
NB 65	2.1/2"	65	170	197	185	145	122	20	2	4	18	VF21	14,00	●	●
NB 80	3"	80	180	329	200	160	138	20	2	8	18	VF21	18,50	●	●
NB 100	4"	100	190	329	235	180	158	20	2	8	18	VF21	26,60	●	●
NB 125	5"	125	325	450	250	210	188	22	2	8	18	VF22	54,00	●	●
NB 150	6"	150	350	755	285	240	212	22	2	8	18	VF22	71,30	●	●

● = lager
 ○ = ex works

● = stock
 ○ = ex works



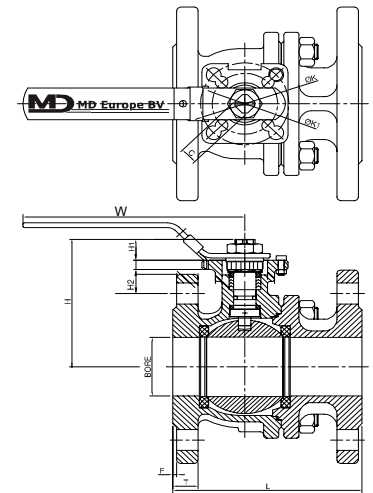
Kulventil MDF-55A

Ball valve MDF-55A

EU 97/23/EC NB CE 0035

EN 10204 3.1

2 piece, full bore
flanged according ANSO B16.5 150 lbs
face to face dimensions ANSI B16.10
shell wall th. and pres./temp. to ANSI B16.34
with mounting pad according ISO 5211
RTFE seats and seals
temperature -20°C upto 180°C



NB	INCH	BORE	W	H	L	T	H1	H2	L	F	C	oK	oK	ISO	Art. no.	Kg / pc	CF8 304	CF8M 316
		mm	mm	mm	mm	mm	mm	mm	mm	mm	mm	1	2	5211				
NB 15	1/2"	15	142	67,0	108,0	11,2	13,0	7,5	108,0	1,5	11	42	50	F04 F05	VF35		○	●
NB 20	3/4"	20	142	69,5	117,5	11,2	13,0	7,5	117,5	1,5	11	42	50	F04 F05	VF35		○	●
NB 25	1"	25	142	76,1	127,0	11,2	13,6	7,5	127,0	1,5	11	42	50	F04 F05	VF35		○	●
NB 32	1.1/4"	32	142	88,5	139,7	12,7	13,6	7,5	139,7	1,5	11	42	50	F04 F05	VF35		○	●
NB 40	1.1/2"	40	200	103,0	165,1	14,3	16,0	8,0	165,1	1,5	14	50	70	F05 F07	VF35		○	●
NB 50	2"	50	200	110,6	177,8	15,9	16,0	8,0	177,8	1,5	14	50	70	F05 F07	VF35		○	●
NB 65	2.1/2"	76	210	131,8	190,0	17,6	19,0	19,0	190,0	1,5	17	70	102	F07 F10	VF35		○	●
NB 80	3"	80	283	153,3	203,2	19,1	24,0	24,0	203,2	1,5	22	102	125	F10 F12	VF35		○	●
NB 100	4"	100	283	168,3	228,6	23,9	24,0	24,0	228,6	1,5	22	102	125	F10 F12	VF35		○	●
NB 125	5"	125	640	224,0	356,0	23,9	30,0	26,0	356,0	1,5	30	125	140	F12 F14	VF35		○	●
NB 150	6"	150	640	243,0	394,0	25,4	30,0	26,0	394,0	1,5	30	125	140	F12 F14	VF35		○	●



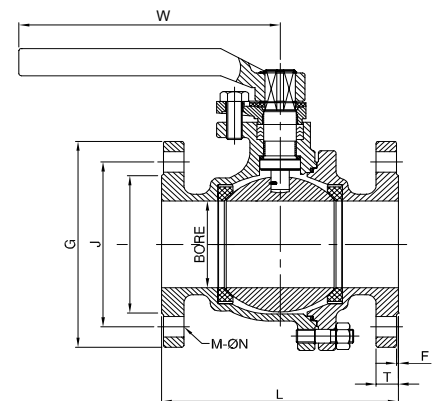
Kulventil MDF-59A

Ball valve MDF-59A

EU 97/23/EC NB CE 0035

EN 10204 3.1

2 piece, full bore
flanged according ANSO B16.5 150 lbs
face to face dimensions ANSI B16.10
shell wall th. and pres./temp. to ANSI B16.34
RTFE seats and seals
temperature -20°C upto 180°C
"fire save" design



NB	INCH	BORE	L	W	H	J	I	T	F	M	N	Art. no.	Kg / pc	CF8 304	CF8M 316
		mm	mm	mm	mm	mm	mm	mm	mm	mm	mm				
NB 15	1/2"	15	108	130,0	88,9	60,5	35	11,2	1,5	4	16	VF25	2,70	○	○
NB 20	3/4"	20	117	130,0	98,6	70,0	43	12,7	1,5	4	16	VF25	3,10	○	○
NB 25	1"	25	127	162,0	108,0	79,2	51	14,2	1,5	4	16	VF25	4,30	○	○
NB 32	1.1/4"	32	140	162,0	117,3	88,9	64	15,7	1,5	4	16	VF25	6,20	○	○
NB 40	1.1/2"	40	165	197,0	127,0	98,6	73	17,5	1,5	4	16	VF25	8,10	○	○
NB 50	2"	50	178	197,0	152,4	120,7	92	19,1	1,5	4	19	VF25	10,00	○	○
NB 65	2.1/2"	65	190	197,0	177,8	139,7	105	22,4	1,5	4	19	VF25	14,00	○	○
NB 80	3"	76	203	329,0	190,5	152,4	127	23,9	1,5	4	19	VF25	18,50	○	○
NB 100	4"	100	229	329,0	228,6	190,5	157	23,9	1,5	4	19	VF25	26,60	○	○
NB 125	5"	125	254	340,0	254,0	215,9	186	23,9	1,5	4	22	VF25	54,00	○	○
NB 150	6"	150	394	752,5	279,4	241,3	216	25,4	1,5	4	22	VF25	71,30	○	○

● = lager
○ = ex works

● = stock
○ = ex works



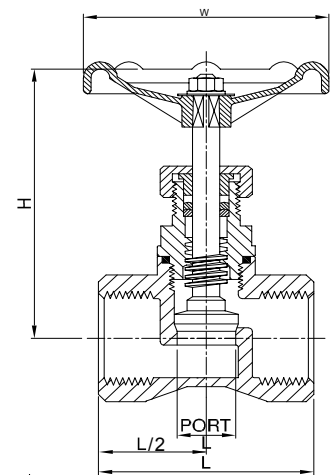
Sätessventil MDV-GB

Globe valve MDV-GB

EU 97/23/EC NB CE 0035

EN 10204 3.1

screwed-in bonnet, non rising stem
 reduced bore, solid wedge disc
 f/f thread ISO 228-1G or ANSI B1.2.0.1 (NPT)
 nominal pressure NB 8 (1/4") - NB 25 (1") : PN 63
 nominal pressure NB 32 (1.1/4") - NB 50 (2") : PN 40
 PTFE seats and seals
 temperature -20°C upto 180°C



NB	INCH PORT	H(open) mm	L mm	L/2	E mm	Art. no.	Kg / pc	CF8 304		CF8M 316	
								ISO	NPT	ISO	NPT
NB 8	1/4"	12	77	52	26 70	VL10	0,30	○	○	●	○
NB 10	3/8"	12	77	52	26 70	VL10	0,30	○	○	●	○
NB 15	1/2"	12	79	52	26 70	VL10	0,30	○	○	●	○
NB 20	3/4"	15	91	60	30 70	VL10	0,40	○	○	●	○
NB 25	1"	20	105	72	36 80	VL10	0,60	○	○	●	○
NB 32	1.1/4"	25	127	80	40 80	VL11	0,90	○	○	●	○
NB 40	1.1/2"	32	142	90	45 90	VL11	1,20	○	○	●	○
NB 50	2"	40	158	102	51 100	VL11	1,70	○	○	●	○



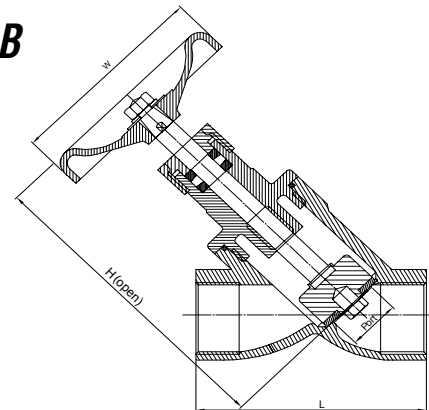
Snedställd sätessventil MDV-YGB

Y-type Globe valve MDV-YGB

EU 97/23/EC NB CE 0035

EN 10204 3.1

screwed-in bonnet, non rising stem
 Y-type, full bore, PTFE disc
 f/f thread ISO 228-1G or ANSI B1.2.0.1 (NPT)
 nominal pressure NB 8 (1/4") - NB 25 (1") : PN 63
 nominal pressure NB 32 (1.1/4") - NB 50 (2") : PN 40
 PTFE seats and seals
 temperature -20°C upto 180°C



NB	INCH PORT	H mm	L mm	W mm	Art. no.	Kg / pc	CF8 304		CF8M 316		
							ISO	NPT	ISO	NPT	
NB 8	1/4"	11	107	65	60	VL15	0,30	○	○	●	○
NB 10	3/8"	13	107	65	60	VL15	0,20	○	○	●	○
NB 15	1/2"	15	107	65	60	VL15	0,40	○	○	●	○
NB 20	3/4"	20	122	80	80	VL15	0,50	○	○	●	○
NB 25	1"	25	142	90	90	VL15	0,70	○	○	●	○
NB 32	1.1/4"	32	155	105	105	VL16	0,90	○	○	●	○
NB 40	1.1/2"	38	175	120	120	VL16	1,30	○	○	●	○
NB 50	2"	50	195	140	140	VL16	1,60	○	○	●	○

● = lager
 ○ = ex works

● = stock
 ○ = ex works

Klaffbackventil MDV-SC

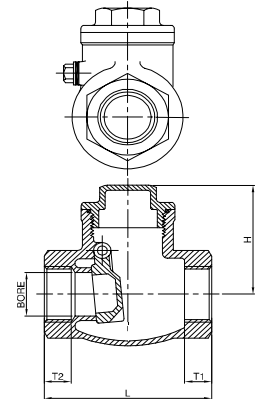
Swing check valve MDV-SC

EU 97/23/EC NB CE 0035

EN 10204 3.1



screwed-in cap, swing type
 full bore, st.st. disc
 f/f thread ISO 228-1G or ANSI B1.2.0.1 (NPT)
 nominal pressure NB 8 (1/4") - NB 25 (1") : PN 63
 nominal pressure NB 32 (1.1/4") - NB 50 (2") : PN 40
 PTFE seats and seals
 temperature -20°C upto 180°C



NB	INCH	BORE mm	H mm	L mm	T1 mm	T2 mm	Art. no.	Kg / pc	CF8 304		CF8M 316	
									ISO	NPT	ISO	NPT
NB 8	1/4"	11	42	65	12		VC10	0,35	○	○	●	○
NB 10	3/8"	13	42	65	12		VC10	0,35	○	○	●	○
NB 15	1/2"	15	42	65	13		VC10	0,33	○	○	●	○
NB 20	3/4"	20	51	80	15		VC10	0,42	○	○	●	○
NB 25	1"	25	60	90	18		VC10	0,70	○	○	●	○
NB 32	1.1/4"	32	66	105	19		VC11	1,00	○	○	●	○
NB 40	1.1/2"	40	75	120	20		VC11	1,50	○	○	●	○
NB 50	2"	50	80	140	22		VC11	2,10	○	○	●	○

Backventil MDV-YSC

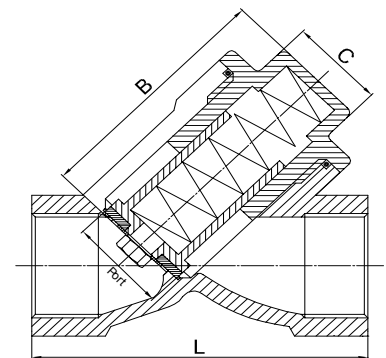
Piston check valve MDV-YSC

EU 97/23/EC NB CE 0035

EN 10204 3.1



screwed-in cap, piston type
 full bore, PTFE disc, st.st. spring
 f/f thread ISO 228-1G or ANSI B1.2.0.1 (NPT)
 nominal pressure NB 8 (1/4") - NB 25 (1") : PN 63
 nominal pressure NB 32 (1.1/4") - NB 50 (2") : PN 40
 PTFE seats and seals
 temperature -20°C upto 180°C



NB	INCH	PORT mm	L mm	B mm	C mm	Art. no.	Kg / pc	CF8 304		CF8M 316	
								ISO	NPT	ISO	NPT
NB 8	1/4"	11	65	46	19	VC15	0,30	○	○	●	○
NB 10	3/8"	13	65	46	19	VC15	0,20	○	○	●	○
NB 15	1/2"	15	65	46	19	VC15	0,30	○	○	●	○
NB 20	3/4"	20	80	58	23	VC15	0,40	○	○	●	○
NB 25	1"	25	90	69	27	VC15	0,80	○	○	●	○
NB 32	1.1/4"	32	105	75	32	VC16	1,00	○	○	●	○
NB 40	1.1/2"	38	120	85	41	VC16	1,50	○	○	●	○
NB 50	2"	50	140	98	50	VC16	2,20	○	○	●	○

● = lager
 ○ = ex works

● = stock
 ○ = ex works

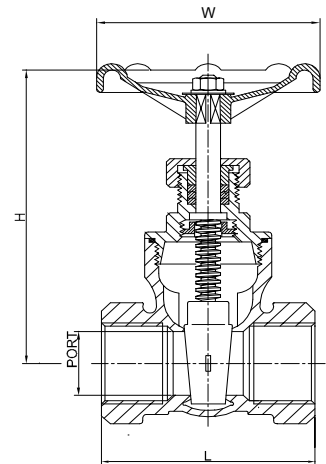


Kilslidventil MDV-GT

Gate valve

EU 97/23/EC NB CE 0035

EN 10204 3.1



screwed-in bonnet, non rising stem
 full bore, solid wedge disc
 f/f thread ISO 228-1G or ANSI B1.2.0.1 (NPT)
 nominal pressure NB 8 (1/4") - NB 25 (1") : PN 63
 nominal pressure NB 32 (1.1/4") - NB 50 (2") : PN 40
 PTFE seats and seals
 temperature -20°C upto 180°C

NB	INCH	PORT	H(open)	L	L/2	W	Art. no.	Kg / pc	CF8		CF8M	
									304	316	ISO	NPT
NB 8	1/4"	11	87,0	50,0	25,0	70	VG10	0,33	○	○	●	○
NB 10	3/8"	12	92,0	55,0	27,5	70	VG10	0,38	○	○	●	○
NB 15	1/2"	15	92,0	55,0	27,5	70	VG10	0,38	○	○	●	○
NB 20	3/4"	20	97,0	60,5	30,0	70	VG10	0,50	○	○	●	○
NB 25	1"	25	108,5	65,5	32,5	80	VG10	0,70	○	○	●	○
NB 32	1.1/4"	32	123,5	76,5	37,5	80	VG11	1,05	○	○	●	○
NB 40	1.1/2"	40	146,0	85,5	42,5	90	VG11	1,40	○	○	●	○
NB 50	2"	50	162,0	95,5	47,5	100	VG11	2,05	○	○	●	○

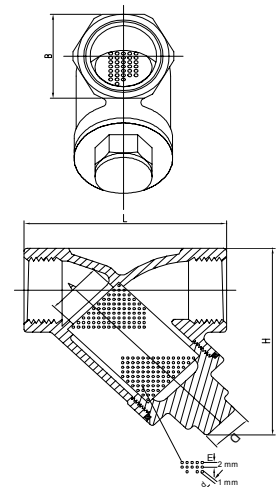


Strainer (Sil) MDV-YS

Strainer MDV-YS

EU 97/23/EC NB CE 0035

EN 10204 3.1



screwed-in cap
 Y-type, full bore, st.st. screen
 f/f thread ISO 228-1G or ANSI B1.2.0.1 (NPT)
 nominal pressure NB 8 (1/4") - NB 25 (1") : PN 63
 nominal pressure NB 32 (1.1/4") - NB 50 (2") : PN 40
 PTFE seats and seals
 temperature -20°C upto 180°C

NB	INCH	A	L	H	B	E	d	Art. no.	Kg / pc	CF8		CF8M	
										304	316	BSP	NPT
NB 8	1/4"	10	65	24	65	2	1	VS10	0,30	○	○	●	○
NB 10	3/8"	12	65	24	65	2	1	VS10	0,30	○	○	●	○
NB 15	1/2"	15	65	26	65	2	1	VS10	0,30	○	○	●	○
NB 20	3/4"	20	80	33	80	2	1	VS10	0,50	○	○	●	○
NB 25	1"	25	90	41	90	2	1	VS10	0,96	○	○	●	○
NB 32	1.1/4"	32	105	49	105	2	1	VS11	1,20	○	○	●	○
NB 40	1.1/2"	40	120	56	120	2	1	VS11	1,80	○	○	●	○
NB 50	2"	50	140	69	140	2	1	VS11	2,50	○	○	●	○

● = lager
 ○ = ex works

● = stock
 ○ = ex works

Dubbelverkande Pneumatisk GD Manöverdon

Double acting Pneumatic GD actuator



Mounting flange acc. DIN/ISO 5211 DIN 333

F-03 - F04 - F05 - F07 - F10

Namur connections for accessories

Rotation angle 90°

Torque: directly proportional to the air supply

The code numbers after the GD letters, always

correspondent to the breakaway torque in Nm

by 5.6 bar air supply

type	ISO 5211	length mm	height mm	total height mm	wide mm	Kg / pc		
GD 8	F03	70,0	42,7	57,7	43,2	0,29		●
GD 15	F03	159,0	52,2	72,2	52,2	0,70		●
GD 15	F04	159,0	45,2	72,2	52,2	0,70		●
GD 30	F03 / F05	174,0	59,2	79,2	59,2	0,93		●
GD 30	F04	174,0	59,2	79,2	59,2	0,93		●
GD 60	F04	198,0	70,4	90,4	70,4	1,50		●
GD 60	F05 / F07	198,0	70,4	90,4	70,4	1,50		●
GD 106	F05 / F07	237,1	83,3	103,3	83,3	2,30		●
GD 180	F07 / F10	289,9	107,5	137,5	107,5	4,30		●
GD 240	F07 / F10	313,6	111,1	141,1	111,1	5,10		●
GD 360	F07 / F10	339,3	118,0	148,0	118,0	6,20		●
GD 480	F10 / F12	387,7	134,9	164,9	134,9	9,00		●

Enkelverkande Pneumatisk GS Manöverdon m. retur fjäder

Spring return Pneumatic GS actuator



Mounting flange according DIN/ISO 5211 DIN 333

F-03 - F04 - F05 - F07 - F10 - F12

Rotation angle 90°, Namur connections for accessories

Torque: the return torque depends on the spring action

only not withstanding the air supply

The code numbers after the GS letters, always

correspondent to the breakaway torque in Nm at

5.6 bar air supply

type	ISO 5211	length mm	height mm	total height mm	wide mm	Kg / pc		
GS 15	F03 / F05	233,3	59,2	79,2	59,2	1,20		●
GS 15	F04	233,3	59,2	79,2	59,2	1,20		●
GS 30	F04	259,0	70,4	90,4	70,4	1,80		●
GS 30	F05 / F07	259,0	70,4	90,4	70,4	1,80		●
GS 53	F05 / F07	304,5	83,3	103,3	83,3	2,85		●
GS 90	F07 / F10	393,7	107,5	137,5	107,5	5,60		●
GS 120	F07 / F10	409,6	111,1	141,1	111,1	6,50		●
GS 180	F07 / F10	474,0	118	148,0	118	8,50		●
GS 240	F10 / F12	520,5	134,9	164,9	134,9	11,40		●
GS 360	F10 / F12	613,0	148	178,0	148	16,40		●
GS 480	F12	648,2	168	198,0	168	22,20		●

● = lager

○ = ex works

● = stock

○ = ex works